

**YTA510
Temperature Transmitter**

IM 01C50E01-01EN

YTA510

Temperature Transmitter

IM 01C50E01-01EN 12th Edition

Contents

1.	Introduction.....	1-1
1.1	Safe Use of This Product	1-2
1.2	Radio Wave	1-3
1.3	Warranty.....	1-3
1.4	Control of Pollution Caused by the Product.....	1-4
2.	Notes on Handling.....	2-1
2.1	Check the Model Name and configuration.....	2-1
2.2	Transport.....	2-1
2.3	Storage	2-2
2.4	Choosing the Installation Location	2-2
2.5	Use of a Transceiver	2-3
2.6	Insulation Resistance Test and Withstand Voltage Test	2-3
2.7	Installation of an Explosion-Protected Instrument	2-4
2.7.1	FM Approval	2-4
2.7.2	CSA Certification.....	2-6
2.7.3	ATEX Certification.....	2-7
2.7.4	IECEX Certification.....	2-8
2.8	EMC Conformity Standards	2-9
2.9	Low Voltage Directive.....	2-10
2.10	Regulatory Compliance for Radio and Telecommunication.....	2-10
2.11	Radio Equipment Directive (RE)	2-10
2.12	FCC compliance.....	2-10
2.13	Industry Canada (IC) compliance.....	2-11
2.14	EU RoHS Directive	2-11
2.15	Korea Certification (KC) compliance.....	2-11
3.	Part Names and Functions	3-1
4.	Installation.....	4-1
4.1	Precautions	4-1
4.2	Mounting	4-1
4.3	Changing the Direction of Integral Indicator	4-2
4.4	Changing the Direction of the Antenna	4-3

5.	Wiring	5-1
5.1	Notes on Wiring.....	5-1
5.2	Cable Selection	5-1
5.3	Cable and Terminal Connections	5-1
5.4	Wiring Cautions.....	5-2
5.5	Mounting Antenna and Wiring.....	5-2
5.5.1	Mounting the Antenna.....	5-3
5.5.2	Mounting External Antenna and Wiring Antenna Extension Cable ...	5-3
5.5.2.1	Mounting of External Antenna.....	5-3
5.5.2.2	Wiring of Antenna Extension Cable	5-4
5.5.2.3	Mounting of Surge Protective Device and Wiring	5-5
5.6	Grounding.....	5-6
5.7	Power Supply Wiring Precautions	5-6
5.8	Selecting the Wiring Materials.....	5-7
5.9	Connection of the External Power Source Terminal.....	5-7
6.	Operation	6-1
6.1	Preparation for Starting Operation	6-1
6.2	Zero-gain Adjustment.....	6-2
6.3	Starting Operation	6-2
6.4	Connecting to the Field Wireless Network.....	6-2
6.5	Shutting Down the Transmitter	6-4
7.	Setting Parameters	7-1
7.1	Environment for parameter setting.....	7-1
7.2	Preparing Software	7-1
7.2.1	Softwares for the Field Wireless Configuration Tool and the Device Configuration Tool	7-1
7.2.2	Software Download.....	7-1
7.3	Setting Parameters	7-2
7.3.1	Parameter Usage and Selection.....	7-2
7.3.2	Function Block and Menu Tree	7-3
7.3.3	Parameters for Wireless Communication.....	7-7
7.3.4	Tag and Device Information	7-7
7.3.5	Setup the Integral Indicator.....	7-8
7.3.6	Power Saving Mode Setting	7-8
7.3.7	Unit.....	7-8
7.3.8	Measurement Range	7-8
7.3.9	Input Sensor.....	7-9
7.3.10	Assignment to AI Object.....	7-10
7.3.11	Burnout Setting	7-10
7.3.12	Write Protect	7-10
7.3.13	Input Calibration.....	7-11

7.3.14	Switching to the Deep Sleep Mode.....	7-12
7.3.15	Switching to the Silence Mode.....	7-12
7.4	Self-Diagnostics.....	7-13
7.4.1	Identify Problems by Using the Communicator	7-13
7.4.2	Alert Report.....	7-14
7.4.3	Checking with Integral Indicator.....	7-15
8.	Maintenance.....	8-1
8.1	General.....	8-1
8.2	Calibration Instruments Selection	8-1
8.3	Calibration Procedure	8-1
8.4	Disassembly and Assembly	8-2
8.4.1	Replacing the Integral Indicator	8-3
8.4.2	Replacing the RF Assembly.....	8-3
8.4.3	Replacing the CPU Assembly.....	8-4
8.4.4	Replacing the Battery Pack	8-4
8.4.5	Replacing the Batteries.....	8-5
8.4.6	Handling Batteries.....	8-5
8.4.7	Replacing the Power Supply Module.....	8-6
8.5	Troubleshooting.....	8-7
8.5.1	Basic Troubleshooting Flow.....	8-7
8.5.2	Example of Troubleshooting Flow	8-7
8.5.3	Errors and Countermeasures	8-8
9.	Parameter Summary	9-1
10.	General Specifications	10-1
Revision Information		

1. Introduction

Thank you for purchasing the YTA temperature transmitter.

Your YTA temperature transmitter was precisely calibrated at the factory before shipment. To ensure both safety and efficiency, please read this manual carefully before you operate the instrument.



NOTE

This manual covers and describes for the detachable antenna type transmitters (Amplifier housing code 8 or 9).

MODEL	SUFFIX
YTA510	-□8□□□□□* -□9□□□□□*

■ Regarding This Manual

- This manual should be provided to the end user.
- This manual and the identification tag attached on packing box are essential parts of the product; keep them in a safe place for future reference.
- The contents of this manual are subject to change without prior notice.
- All rights reserved. No part of this manual may be reproduced in any form without Yokogawa's written permission.
- Yokogawa makes no warranty of any kind with regard to this manual, including, but not limited to, implied warranty of merchantability and fitness for a particular purpose.
- If any question arises or errors are found, or if any information is missing from this manual, please inform the nearest Yokogawa sales office.
- The specifications covered by this manual are limited to those for the standard type under the specified model number break-down and do not cover custom-made instruments. When products whose suffix code or optional codes contain code "Z" and an exclusive document is attached, please read it along with this manual.

- Please note that changes in the specifications, construction, or component parts of the instrument may not immediately be reflected in this manual at the time of change, provided that postponement of revisions will not cause difficulty to the user from a functional or performance standpoint.
- Yokogawa assumes no responsibilities for this product except as stated in the warranty.
- If the customer or any third party is harmed by the use of this product, Yokogawa assumes no responsibility for any such harm owing to any defects in the product which were not predictable, or for any indirect damages.
- The following safety symbols are used in this manual and on the product:



WARNING

Indicates a potentially hazardous situation which, if not avoided, could result in death or serious injury.



CAUTION

Indicates a potentially hazardous situation which, if not avoided, may result in minor or moderate injury or physical damage. It may also be used to alert against unsafe practices.




IMPORTANT


Indicates that operating the hardware or software in this manner may damage it or lead to system failure.



NOTE

Draws attention to information essential for understanding the operation and features.

 Functional grounding terminal

 Caution
This symbol indicates that the operator must refer to an explanation in the user's manual in order to avoid the risk of injury or death of personnel or damage to the instrument.

Notice

NO RIGHTS OR LICENSES, EXPRESS OR IMPLIED, ARE GRANTED TO USE THIRD-PARTY DEVICES IN COMBINATION WITH THESE PRODUCTS IN A WIRELESS MESH NETWORK, OR TO USE THIRD-PARTY SERVICES TO ACCESS, MONITOR OR CONTROL THESE PRODUCTS IN A WIRELESS MESH NETWORK VIA THE INTERNET OR ANOTHER EXTERNAL WIDE AREA NETWORK.

Patent Marking

Covered by one or more claims of patents:
<http://sipcollec.com/patent-list/> and
<http://intusiq.com/patent-list/>.

1.1 Safe Use of This Product

This product is designed to be used by a person with specialized knowledge.

For the safety of the operator and to protect the instrument and the system, please be sure to follow this manual's safety instructions when handling this instrument. If these instructions are not heeded, the protection provided by this instrument may be impaired. In this case, Yokogawa cannot guarantee that the instrument can be safely operated. Please pay special attention to the following points:

(a) Installation

- This instrument may only be installed by an engineer or technician who has an expert knowledge of this device. Operators are not allowed to carry out installation unless they meet this condition.
- With high process temperatures, care must be taken not to burn yourself by touching the instrument or its casing.
- All installation shall comply with local installation requirements and the local electrical code.

(b) Wiring

- The instrument must be installed by an engineer or technician who has an expert knowledge of this instrument. Operators are not permitted to carry out wiring unless they meet this condition.

(c) Maintenance

- Please carry out only the maintenance procedures described in this manual. If you require further assistance, please contact the nearest Yokogawa office.
- Care should be taken to prevent the build up of dust or other materials on the display glass and the name plate. To clean these surfaces, use a soft, dry cloth.

(d) Explosion Protected Type Instrument

- Users of explosion proof instruments should refer first to section 2.7 (Installation of an Explosion Protected Instrument) of this manual.
- The use of this instrument is restricted to those who have received appropriate training in the device.
- Take care not to create sparks when accessing the instrument or peripheral devices in a hazardous location.
- Repair or modification to this instrument by customer will cause malfunction of explosion protect function and hazardous situation. If you need to repair or modification, please contact the nearest Yokogawa office.

(e) Modification

- Yokogawa will not be liable for malfunctions or damage resulting from any modification made to this instrument by the customer.

(f) Product Disposal

- The instrument should be disposed of in accordance with local and national legislation/regulations.

(g) Authorized Representative in EEA

- In relation to the CE Marking, The authorized representative for this product in the EEA (European Economic Area) is:
Yokogawa Europe B.V.
Euroweg 2, 3825 HD Amersfoort,
The Netherlands

1.2 Radio Wave



IMPORTANT

- This instrument is equipped with a wireless module which is designated as a certification of construction type as a wireless facility for 2.4 GHz band low-power data communication system of the Radio Act. Refer to 2.11 “Regulatory Compliance for Radio and Telecommunication” for detail.
- Due to the designated certification of construction type, users may be subject to legal punishment in case of:
 - Disassembling or modifying the wireless module or antenna in this instrument
 - Peeling off the certification label attached to the wireless module in this instrument
- Preventing interference with other wireless stations
The operating frequency bandwidth of this instrument may overlap the same range as industrial devices, scientific devices, medical devices, microwave ovens, licensed premises radio stations and non-licensed specified low-power radio stations for mobile object identification systems used in factory production lines.
Before using this instrument, ensure that neither a premises radio station nor specified low power radio station for mobile object identification systems is in use nearby.
If this instrument causes radio wave interference to a wireless station for mobile object identification systems, promptly change the frequency being used or turn off the source of radio wave emissions.
Then, contact a Yokogawa office regarding countermeasures to prevent interference, such as setting up partitions.

1.3 Warranty

- The warranty shall cover the period noted on the quotation presented to the purchaser at the time of purchase. Problems occurring during the warranty period shall basically be repaired free of charge.

- If any problems are experienced with this instrument, the customer should contact the Yokogawa representative from which this instrument was purchased or the nearest Yokogawa office.
 - If a problem arises with this instrument, please inform us of the nature of the problem and the circumstances under which it developed, including the model specification and serial number. Any diagrams, data and other information you can include in your communication will also be helpful.
 - The party responsible for the cost of fixing the problem shall be determined by Yokogawa following an investigation conducted by Yokogawa.
- **The purchaser shall bear the responsibility for repair costs, even during the warranty period, if the malfunction is due to:**
- Improper and/or inadequate maintenance by the purchaser.
 - Malfunction or damage due to a failure to handle, use, or store the instrument in accordance with the design specifications.
 - Use of the product in question in a location not conforming to the standards specified by Yokogawa, or due to improper maintenance of the installation location.
 - Failure or damage due to modification or repair by any party except Yokogawa or an approved representative of Yokogawa.
 - Malfunction or damage from improper relocation of the product in question after delivery.
 - Reason of force majeure such as fires, earthquakes, storms/floods, thunder/lightening, or other natural disasters, or disturbances, riots, warfare, or radioactive contamination.

■ **Trademarks**

In this document, trademarks or registered trademarks are not marked with “™” or “®”. Product names and company names in this document are trademarks or registered trademarks of the respective companies.

1.4 Control of Pollution Caused by the Product

This is an explanation for the product based on “Control of Pollution caused by Electronic Information Products” in the People’s Republic of China.

電子情報製品汚染制御管理弁法(中国版RoHS)

产品中有害物质或元素的名称及含量

产品中有害物质或元素的名称及含量

型号	部件名称	有害物质					
		铅 (Pb)	汞 (Hg)	镉 (Cd)	六价铬 (Cr (VI))	多溴联苯 (PBB)	多溴二苯醚 (PBDE)
EJX-B series 无线差压 / 压力 变送器	壳体	×	○	○	○	○	○
	膜盒组件	×	○	○	○	○	○
	基板组件	×	○	○	×	○	○
YTA510 无线温度变送器	电源连接线	×	○	○	○	○	○
	天线组件	×	○	○	○	○	○
	电池组件	×	○	○	○	○	○

○ : 表示该部件的所有均质材料中的有害物质的含量均在 GB/T26572 标准中所规定的限量以下。
 × : 表示至少该部件的某些均质材料中的有害物质的含量均在 GB/T26572 标准中所规定的限量以上。

环保使用期限 :



该标识适用于 SJ /T11364 中所述，在中华人民共和国销售的电子电气产品的环保使用期限。

注) 该年数为“环保使用期限”，并非产品的质量保证期。

2. Notes on Handling

The YTA temperature transmitter is fully factory-tested upon shipment. When the YTA is delivered, check the appearance for damage, and also check that the transmitter mounting parts shown in Figure 2.1 are included with your shipment. If “No Mounting Bracket” is indicated, no transmitter mounting bracket is included.

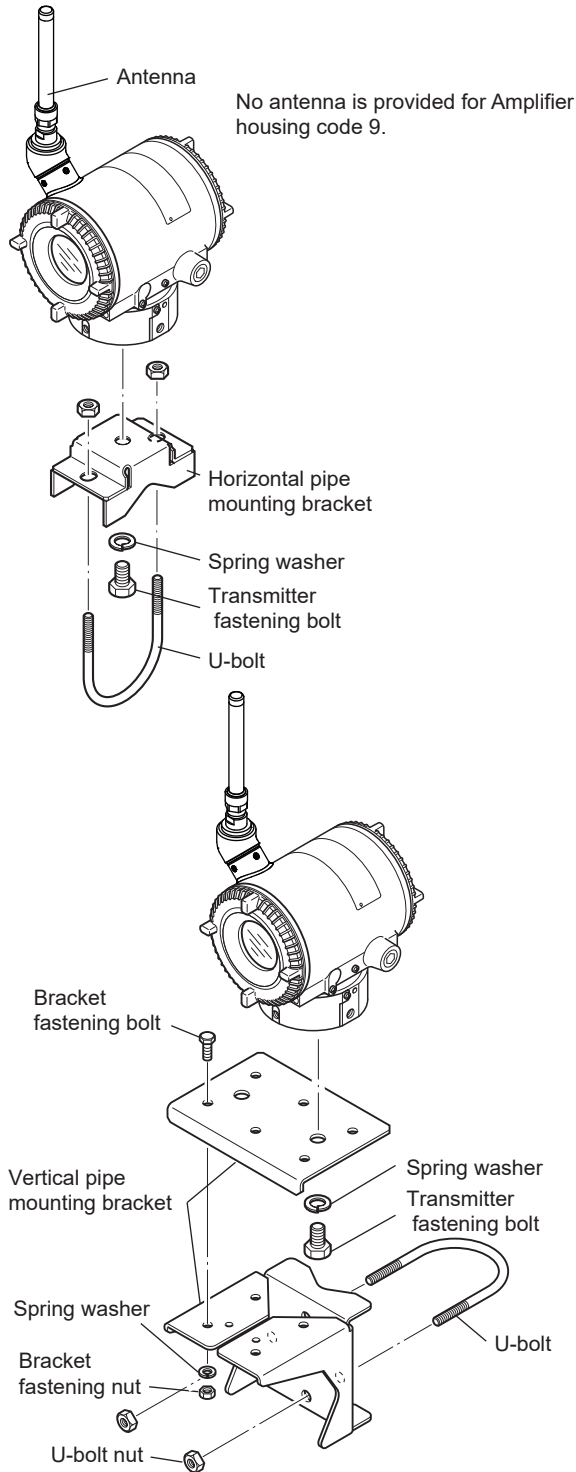


Figure 2.1 Transmitter Mounting Hardware

2.1 Check the Model Name and configuration

The model name and configuration are indicated on the nameplate. Verify that the configuration indicated in the “Model and Suffix Code” in Chapter 10 is in compliance with the specifications written on the order sheet.

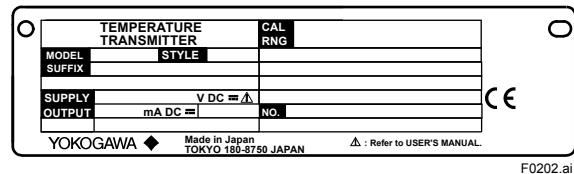


Figure 2.2 Name Plate

- QR Code
The product has a QR Code pasted for efficient plant maintenance work and asset information management. It enables confirming the specifications of purchased products and user’s manuals. For more details, please refer to the following URL.
<https://www.yokogawa.com/qr-code>
QR Code is a registered trademark of DENSO WAVE INCORPORATED.

2.2 Transport

To prevent damage while in transit, leave the transmitter in the original shipping container until it reaches the installation site.

2.3 Storage

When an extended storage period is expected, observe the following precautions.

1. Choose a storage location that satisfies the following requirements.
 - A location that is not exposed to rain or water.
 - A location subject to a minimum of vibration or impact.
 - The following temperature and humidity range is recommended. Ordinary temperature and humidity (25°C, 65%) are preferable.
Temperature: -40 to 85°C
 -30 to 80°C (LCD visible range)
Humidity: 5 to 100% RH (at 40°C)
2. If at all possible, store the transmitter in factory-shipped condition, that is, in the original shipping container.
3. Preferably remove the batteries for storage. For maximum battery life, the storage temperature should not exceed 30°C



When storing the instrument with a battery pack, it is recommended to put the instrument in Deep Sleep mode to conserve the batteries. For details on how to switch to Deep Sleep mode, refer to subsection 7.3.14 “Switching to the Deep Sleep Mode”.

2.4 Choosing the Installation Location

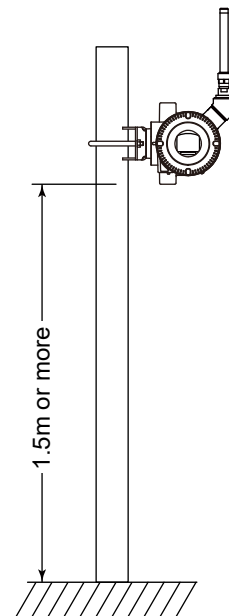
Although the temperature transmitter is designed to operate in a vigorous environment, to maintain stability and accuracy, the following is recommended.

■ Wireless Communication



The installation location of this transmitter must meet the following conditions:

- Adjust the direction of the antenna to be in the upright position regardless of the orientation of this transmitter. See section 4 for adjusting the antenna.
- Install the transmitter at least 1.5 m above the ground or floor.



F0203.ai

- Ensure that there are no obstacles such as walls or pipes within a 30-cm radius of each antenna.
- Confirm that each field wireless equipment compliant with ISA100.11a can see the antenna of other devices which locate within its own communication range. In the star topology network, the visibility to the antenna of gateway is a mandatory clause.

■ Ambient Temperature

It is preferable to not to expose the instrument to extreme temperatures or temperature fluctuations. If the instrument is exposed to radiation heat a thermal protection system and appropriate ventilation is recommended.

■ Environmental Requirements

Do not allow the instrument to be installed in a location that is exposed to corrosive atmospheric conditions. When using the instrument in a corrosive environment, ensure the location is well ventilated.

The unit and its wiring should be protected from exposure to rainwater.

■ Impact and Vibration

It is recommended that the instrument be installed in a location that is subject to a minimum amount of impact and vibration.

■ Installation of Explosion-protected Transmitters

An explosion-protected transmitters is certified for installation in a hazardous area containing specific gas types. See subsection 2.7 "Installation of an Explosion-Protected Transmitters.

2.5 Use of a Transceiver



IMPORTANT

Although the transmitter has been designed to resist high frequency electrical noise, if a radio transceiver is used near the transmitter or its external wiring, the transmitter may be affected by high frequency noise pickup. To test this, start out from a distance of several meters and slowly approach the transmitter with the transceiver while observing the measurement loop for noise effects. Thereafter use the transceiver outside the range where the noise effects were first observed.

2.6 Insulation Resistance Test and Withstand Voltage Test

- (1) Overvoltage of the test voltage that is so small that it does not cause an dielectric breakdown may in fact deteriorate insulation and lower the safety performance; to prevent this it is recommended that the amount of testing be kept to a minimum.
- (2) The voltage for the insulation resistance test must be 500 VDC or lower, and the voltage for the withstand voltage test must be 500 VAC (50Hz ~ 60Hz) or lower. Failure to heed these guidelines may cause faulty operation.
- (3) Follow the steps below to perform the test.

■ Insulation resistance test procedure

- 1) Remove the battery pack or power supply module. See subsection 8.4.4 Replacing the Battery Pack or 8.4.7 Replacing the Power Supply Module.
- 2) Lay wiring across sensor terminals in the terminal box.
- 3) Turn OFF the insulation tester. Then connect the insulation tester plus (+) lead wire to the shorted battery connection terminals and the minus (-) lead wire to the grounding terminal.
- 4) Turn ON the insulation tester power and measure the insulation resistance. The voltage should be applied as briefly as possible to verify that the insulation resistance is at least 100 MΩ.
- 5) After completing the test and being very careful not to touch exposed conductors disconnect the insulation tester and connect a 100 kΩ resistor between the grounding terminal and the short-circuiting battery connection terminals. Leave this resistor connected at least one second to discharge any static potential. Do not touch the terminals while it is discharging.



NOTE

When storing the instrument with a battery pack, it is recommended to put the instrument in Deep Sleep mode to conserve the batteries. For details on how to switch to Deep Sleep mode, refer to subsection 7.3.14 "Switching to Deep the Sleep Mode".

■ Withstand voltage test procedure

- 1) Remove the battery pack or power supply module. See subsection 8.4.4 Replacing the Battery Pack or 8.4.7 Replacing the Power Supply Module.
- 2) Lay wiring across sensor terminals in the terminal box.
- 3) Turn OFF the dielectric strength tester. Then connect the tester between the shorted battery connection terminals and the grounding terminal. Be sure to connect the grounding lead of the dielectric strength tester to the ground terminal.
- 4) Set the current limit on the dielectric strength tester to 10 mA, then turn ON the power and gradually increase the test voltage from '0' to the specified voltage.
- 5) When the specified voltage is reached, hold it for one minute.
- 6) After completing this test, slowly decrease the voltage to avoid any voltage surges.



NOTE

When storing the instrument with a battery pack, it is recommended to put the instrument in Deep Sleep mode to conserve the batteries. For details on how to switch to Deep Sleep mode, refer to subsection 7.3.14 "Switching to Deep the Sleep Mode".

2.7 Installation of an Explosion-Protected Instrument

If a customer makes a repair or modification to an intrinsically safe instrument and the instrument is not restored to its original condition, its intrinsically safe construction may be compromised and the instrument may be hazardous to operate. Please contact Yokogawa before making any repair or modification to an instrument.



CAUTION

This instrument has been tested and certified as being intrinsically safe. Please note that severe restrictions apply to this instrument's construction, installation, external wiring, Maintenance and repair. A failure to abide by these restrictions could make the instrument a hazard to operate.



WARNING

The battery pack may be replaced in a hazardous area. The battery pack has surface resistivity greater than 1G ohm and must be properly installed in the enclosure of the transmitter. Care must be taken during transportation to and from the point of installation to prevent electrostatic charge build-up.

2.7.1 FM Approval

Caution for FM intrinsically safe type. (Following contents refer "DOC. No. IFM038-A20")

Note 1. Model YTA Series temperature transmitters with optional code /FS17 are applicable for use in hazardous locations.

- Applicable Standard: Class 3600:2011, Class 3610:2015, Class 3611:2016, Class 3810:2005, ANSI/UL-60079-0-2013, ANSI/UL-60079-11-2014, NEMA-250:2003
- Intrinsically Safe for Class I, Division 1, Groups A, B, C & D, Class II, Division 1, Groups E, F & G and Class III, Division 1, Class I, Zone 0, in Hazardous Locations, AEx ia IIC
- Nonincendive for Class I, Division 2, Groups A, B, C & D, Class II, Division 2, Groups F & G and Class III, Division 1, Class I, Zone 2, Groups IIC, in Hazardous Locations.
- Enclosure: Type 4X
- Temperature Class: T4
- Ambient temperature: -50 to 70°C

Note 2. Output Parameters

- Sensor Circuit (1 to 5)
 Maximum Output Voltage Voc: 6.6V
 Maximum Output Current Isc: 66mA
 Maximum Output Power Po: 109mW
 Maximum External Capacitance Ca: 22uF
 Maximum External Inductance La: 8.1mH
- The above parameters apply when one of the two conditions below is given:
 - the total Li of the external circuit (excluding the cable) is < 1% of the La value or
 - the total Ci of the external circuit (excluding the cable) is < 1% of the Ca value.
- The above parameters are reduced to 50% when both of the two conditions below are given:
 - the total Li of the external circuit (excluding the cable) is ≥ 1% of the La value and
 - the total Ci of the external circuit (excluding the cable) is ≥ 1% of the Ca value.
- The reduced capacitance of the external circuit (including cable) shall not be greater than 1μF for Group IIB and 600nF for Group IIC.

Note 3. Installation

- Installation should be in accordance with ANSI/ISA RP12.6 “Installation of Intrinsically Safe Systems for Hazardous (Classified) Locations” and the National Electric Code (ANSI/NFPA 70).
- Dust-tight conduit seal must be used when installed in a Class II, III, Group E, F and G environments.
- Note a warning label worded “SUBSTITUTION OF COMPONENTS MAY IMPAIR INTRINSIC SAFETY,” and “INSTALL IN ACCORDANCE WITH DOC. NO. IFM038-A20”.

Model: YTA Series Date: March 15, 2010

9.0 Control Drawing

Hazardous (Classified) Location

Class I, Division 1, 2, Groups A, B, C, D
 Class II, Division 1, Groups E, F, G or Class II, Division 2, Groups F, G
 Class III, Division 1, 2
 Class I, Zone 0, 1, 2 Group IIC
 Temperature Class: T4

Temperature Sensor (Note 4) (one or two sensors)

Sensor Circuits (1 to 5) – Output Parameters

Voc or Uo (V)	Isc or Is (mA)	Po (mW)	Ca or Co (μF)	La or Lo (mH)
6.6	66	109	22	8.1

Specific conditions of use:

- In case of the aluminum enclosure, if the Transmitter is mounted in Zone 0, it must be installed such, that, even in the event of rare incidents, ignition sources due to impact and friction sparks are excluded.
- Electrostatic charges on the non-metallic parts (excluding glass parts) or coated parts of the Temperature Transmitter shall be avoided.

Notes:

1. No revision to this drawing without prior approval of FM.
2. Installation must be in accordance with the National Electric Code (NFPA 70), ANSI/ISA RP12.6:01 and relevant local codes.
3. Antenna and Arrester are simple apparatus.
- 3.1 The following conditions must be met.
 (total Li of simple apparatus) + (total Lcable) ≤ 1 mH
 (total Ci of simple apparatus) + (total Ccable) ≤ 1 μF

Rev.1: May 21, 2010 Doc. No.: IFM038-A20 P.1
 Rev.2: December 28, 2012
 Rev.3: April 24, 2014
 Rev.4: July 14, 2016

Yokogawa Electric Corporation

Model: YTA Series Date: December 28, 2012

- 3.2 The temperature class of Antenna and Arrester must be determined from Po = 20 mW at Antenna Connector, in accordance with Article 504 of NFPA 70.
- 3.3 Arrester may not be connected.
- 3.4 The connection diagram is for the transmitter with an external antenna connection. The transmitter with an integral antenna has no external connection as shown in the diagram.
4. Temperature Sensors are FM-approved intrinsically safe apparatus or simple apparatus.
 - the total Li of Temperature Sensor is < 1 % of the La (or Lo) value or
 - the total Ci of Temperature Sensor is < 1 % of the Ca (or Co) value.
 - the total Li of Temperature Sensor is ≥ 1 % of the La (or Lo) value and
 - the total Ci of Temperature Sensor is ≥ 1 % of the Ca (or Co) value.
 The reduced capacitance of the external circuit (including cable) shall not be greater than 1 μF for Group IIB and 600 nF for Group IIC.
5. Dust-tight conduit seal must be used when installed in a Class II or Class III environments.
6. WARNING – POTENTIAL ELECTROSTATIC CHARGING HAZARD – SECURE DISTANCE OF 100MM FROM ANTENNA
7. WARNING – IN THE CASE WHERE THE ENCLOSURE OF THE TRANSMITTER IS MADE OF ALUMINUM, IF IT IS MOUNTED IN ZONE 0, IT MUST BE INSTALLED SUCH, THAT EVEN IN THE EVENT OF RARE INCIDENTS, IGNITION SOURCES DUE TO IMPACT AND FRICTION SPARKS ARE EXCLUDED
8. WARNING – DO NOT OPEN WHEN CL II, III, DIV 1, 2 ATMOSPHERE IS PRESENT
9. WARNING – USE ONLY BATTERY PACK YOKOGAWA F9915MA OR F9915NS
10. WARNING – THE BATTERY PACK CAN BE REPLACED IN A HAZARDOUS LOCATION. THE BATTERY PACK HAS SURFACE RESISTIVITY GREATER THAN 1G OHM AND MUST BE PROPERLY INSTALLED IN THE ENCLOSURE OF THE TRANSMITTER. CARE MUST BE TAKEN DURING TRANSPORTATION TO AND FROM THE POINT OF INSTALLATION TO PREVENT ELECTROSTATIC CHARGE BUILD-UP
11. WARNING – SUBSTITUTION OF COMPONENTS MAY IMPAIR INTRINSIC SAFETY

Rev.1: April 24, 2014 Doc. No.: IFM038-A20 P.2
 Rev.2: July 14, 2016

Yokogawa Electric Corporation

Only power supply code: A is applicable.

Note 4. Maintenance and Repair

- The instrument modification or parts replacement by other than authorized representative of Yokogawa Electric Corporation is prohibited and will void FM Approvals approval.

Note 5. Battery Pack

USE ONLY BATTERY PACK YOKOGAWA F9915MA OR F9915NS.

Note 6. Special Conditions for safe use

POTENTIAL ELECTROSTATIC CHARGING HAZARD-SECURE DISTANCE OF 100MM FROM ANTENNA.

DO NOT OPEN WHEN CL II, III, DIV 1,2 ATMOSPHERE IS PRESENT.

2.7.2 CSA Certification

Caution for CSA intrinsically safe type. (Following contents refer "DOC. No. ICS031)

Note 1. Model YTA Series temperature transmitters with optional code /CS17 are applicable for use in hazardous locations.

- No. CSA10CA2328785X
- Applicable standard:
CAN/CSA-C22.2 No.94, C22.2 No.213,
CAN/CSA-C22.2 No.61010-1,
CAN/CSA-C22.2 No.60079-0,
CAN/CSA-C22.2 No.60079-11,
CAN/CSA-C22.2 No.60529
- Ex ia IIC T4 Ga
- Intrinsically Safe for Class I, Division 1, Groups A, B, C & D, Class II, Division 1, Groups E, F & G, Class III, Division 1
- Nonincendive for Class I, Division2, Groups A, B, C & D, Class II, Division2, Groups F & G, Class III, Division1
- Enclosure: IP66/IP67 and Type 4X
- Temperature Code: T4
- Ambient Temperature: -50 to 70°C

Note 2. Output Parameters

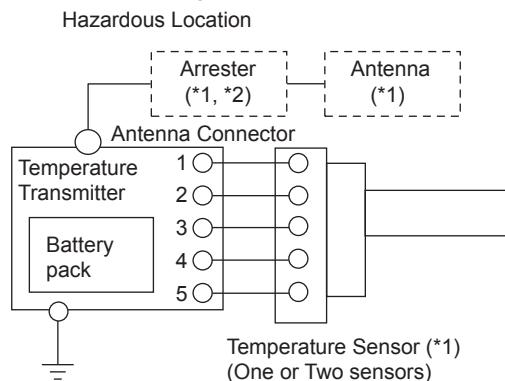
- Sensor Circuit (Terminals: 1 to 5)
Uo = 6.6 V, Io = 66 mA,
Po = 109 mW, Co = 22 μF,
Lo = 8.1 mH
- The above parameters apply when one of the two conditions below is given:
 - the total Li of the external circuit (excluding the cable) is < 1% of the Lo value or
 - the total Ci of the external circuit (excluding the cable) is < 1% of the Co value.

- The above parameters are reduced to 50% when both of the two conditions below are given:
 - the total Li of the external circuit (excluding the cable) is ≥ 1% of the Lo value and
 - the total Ci of the external circuit (excluding the cable) is ≥ 1% of the Co value.
- The reduced capacitance of the external circuit (including cable) shall not be greater than 1μF for Group IIB and 600nF for Group IIC.

Note 3. Installation

- Installation should be in accordance with Canadian Electrical Code Part I and Local Electrical Code.
- The Hand Held Terminal must be CSA certified.
- Do not alter drawing without authorization from CSA.
- The instrument modification or parts replacement by other than authorized representative of Yokogawa Electric Corporation is prohibited and will void Canadian Standards Intrinsically safe and nonincendive Certification.

[Installation Drawing]



*1: These apparatus are simple apparatus.
*2: Arrester may not be connected.

F0205.ai

Note 4. Battery Pack

Use only YOKOGAWA battery pack F9915MA or F9915NS.

Note 5. Special Conditions for safe use

Potential electrostatic charging hazard-secure distance of 100mm from antenna. Do not open when CL II, III, DIV 1,2 atmosphere is present.


Only power supply code: A is applicable.

2.7.3 ATEX Certification

(1) Technical Data

Caution for ATEX Intrinsically safe type.

Note 1. Model YTA Series temperature transmitters with optional code /KS27 for potentially explosive atmospheres:

- Applicable standards: EN IEC 60079-0, EN 60079-11, EN 60079-28
- Certificate number: KEMA 10ATEX0163 X
- Specific Ex marking
 II 1 G Ex ia op is IIC T4 Ga
- Ambient temperature: $-50^{\circ}\text{C} \leq \text{Ta} \leq +70^{\circ}\text{C}$
- Enclosure: IP66/IP67 in accordance with only EN 60529
- Battery: Battery pack:F9915MA or F9915NS (YOKOGAWA)
- Dielectric strength:
 500 V AC, r.m.s., Battery to Enclosure
 1 min connection terminals
- RF source: $\leq 20 \text{ mW}$
- Optical source: $\leq 35 \text{ mW}$

Note 2. Specific condition of use

When the equipment is mounted in an area where the use of Category 1 G equipment is required, it shall be installed in such a way that, even in the event of rare incidents, an ignition source due to impact and/or friction sparks is excluded.

Precaution shall be taken to minimize the risk from electrostatic discharges or propagating brush discharges on the non-metallic parts (excluding glass parts) or coated parts of the equipment.

Note 3. Installation and erection

See the control drawing.

If the equipment is mounted in an area where explosive atmospheres may be present, it must be installed in such a way that the risk from electrostatic discharges.

Note 4. Use and setting-up (operation)

The battery pack may be replaced in a hazardous area. The battery pack has surface resistivity greater than 1G ohm and must be properly installed in the enclosure of the transmitter. Care must be taken during transportation to and from the point of installation to prevent electrostatic charge build-up.

Use only F9915MA or F9915NS for the battery pack. Precaution shall be taken to minimize the risk from electrostatic discharge when replacing the battery pack in a hazardous area.

Use only TL-5930/S or SL-2780/S (TADIRAN) or SB-D02 (Vitzrocell) for the cells. Cells of the same model must be used in a battery pack.

The cells must be replaced in a non-hazardous area.

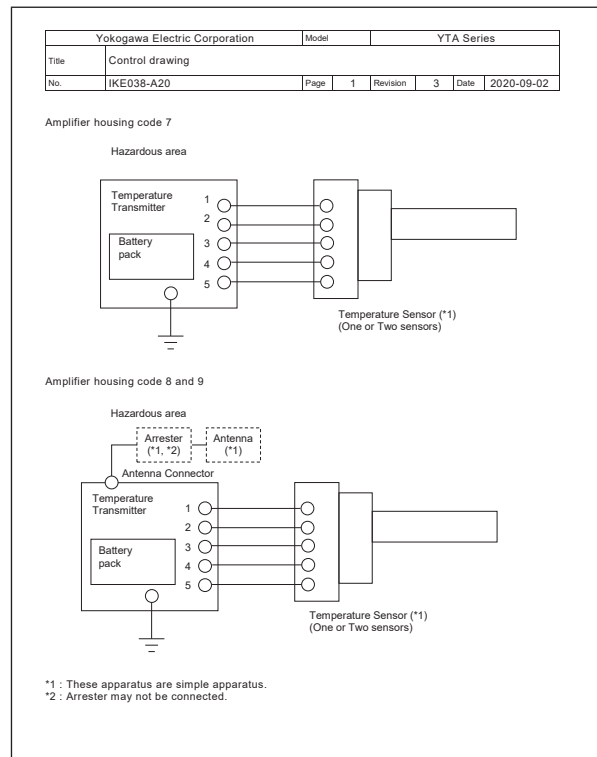
Note 5. Maintenance and repair



WARNING

A modification of the equipment would no longer comply with the construction described in the certificate documentation.

Only personnel authorized by Yokogawa Electric Corporation can repair the equipment.



Yokogawa Electric Corporation		Model	YTA Series		
Title	Control drawing				
No.	IKE038-A20	Page	2	Revision	3

Electrical data:
 Sensor Circuit (1 to 5)
 Maximum Output Voltage Uo: 6.6 V
 Maximum Output Current Io: 66 mA
 Maximum Output Power Po: 109 mW
 Maximum External Capacitance Co: 22 µF
 Maximum External Inductance Lo: 8.1 mH

The above parameters apply when one of the two conditions below is given:
 - the total Li of the external circuit (excluding the cable) is < 1 % of the Lo value or
 - the total Ci of the external circuit (excluding the cable) is < 1 % of the Co value.

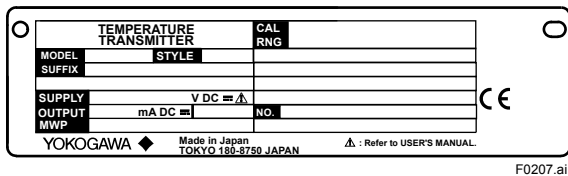
The above parameters are reduced to 50% when both of the two conditions below are given:
 - the total Li of the external circuit (excluding the cable) is ≥ 1 % of the Lo value and
 - the total Ci of the external circuit (excluding the cable) is ≥ 1 % of the Co value.

The reduced capacitance of the external circuit (including cable) shall not be greater than 1µF for Group IIB and 600nF for Group IIC.

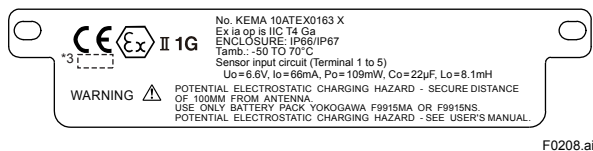
Notes:
 - The following conditions must be met for the antenna connector
 (total Li of simple apparatus) + (total Lc) ≤ 1 mH
 (total Ci of simple apparatus) + (total Co) ≤ 1 µF
 - The temperature class of Antenna and Arrester must be determined from Po= 20 mW at Antenna Connector.

(2) Name Plate

- Name Plate



- Tag plate for intrinsically safe type



MODEL: Specified model code.
 SUFFIX: Specified suffix code.
 STYLE: Style code.
 SUPPLY: Supply voltage.
 OUTPUT: Output signal.
 CAL RNG: Calibration range.
 NO.: Serial number and year of production *1.
 TOKYO 180-8750 JAPAN: The manufacturer name and the address *2.

*1: The first digit in the final three numbers of the serial number appearing after "NO." on the nameplate indicates the year of production. The following is an example of a serial number for a product that was produced in 2010:

91K819857 032
 ↑
 The year 2010

- *2: "180-8750" is a zip code which represents the following address.
 2-9-32 Nakacho, Musashino-shi, Tokyo Japan
- *3: The identification number of Notified Body.
 Only power supply code: A is applicable.

2.7.4 IECEx Certification

Caution for IECEx Intrinsically safe type.

Note 1. Model YTA Series temperature transmitters with optional code /SS27 for potentially explosive atmospheres:

- Applicable standards: IEC 60079-0, IEC 60079-11, IEC 60079-28
- Certificate number: IECEx KEM10.0073X
- Specific Ex marking: Ex ia op is IIC T4 Ga
- Ambient temperature: -50°C ≤ Ta ≤ +70°C
- Enclosure: IP66/IP67 in accordance with only IEC 60529
- Battery: Battery pack:F9915MA or F9915NS (YOKOGAWA)
- Dielectric strength:
 500 V AC, r.m.s., Battery to Enclosure
 1 min connection terminals

- RF source: ≤ 20 mW
- Optical source: ≤ 35 mW

Note 2. Specific condition of use
 When the equipment is mounted in an area where the use of EPL Ga equipment is required, it shall be installed in such a way that, even in the event of rare incidents, an ignition source due to impact and/or friction sparks is excluded.

Precaution shall be taken to minimize the risk from electrostatic discharges or propagating brush discharges on the non-metallic parts (excluding glass parts) or coated parts of the equipment.

Note 3. Installation and erection
 See the control drawing.
 If the equipment is mounted in an area where explosive atmospheres may be present, it must be installed in such a way that the risk from electrostatic discharges.

Note 4. Use and setting-up (operation)

The battery pack may be replaced in a hazardous area. The battery pack has surface resistivity greater than 1G ohm and must be properly installed in the enclosure of the transmitter. Care must be taken during transportation to and from the point of installation to prevent electrostatic charge build-up.

Use only F9915MA or F9915NS for the battery pack. Precaution shall be taken to minimize the risk from electrostatic discharge when replacing the battery pack in a hazardous area.

Use only TL-5930/S or SL-2780/S (TADIRAN) or SB-D02 (Vitzrocell) for the cells. Cells of the same model must be used in a battery pack.

The cells must be replaced in a non-hazardous area.

Note 5. Maintenance and repair



WARNING

A modification of the equipment would no longer comply with the construction described in the certificate documentation.

Only personnel authorized by Yokogawa Electric Corporation can repair the equipment.

Yokogawa Electric Corporation		Model	YTA Series		
Title	Control drawing				
No.	IKE038-A20	Page	2	Revision	3

Electrical data:
 Sensor Circuit (1 to 5)
 Maximum Output Voltage Uo: 6.6 V
 Maximum Output Current I_o: 66 mA
 Maximum Output Power Po: 109 mW
 Maximum External Capacitance Co: 22 µF
 Maximum External Inductance Lo: 8.1 mH

The above parameters apply when one of the two conditions below is given:
 - the total Li of the external circuit (excluding the cable) is < 1 % of the Lo value or
 - the total Ci of the external circuit (excluding the cable) is < 1 % of the Co value.

The above parameters are reduced to 50% when both of the two conditions below are given:
 - the total Li of the external circuit (excluding the cable) is ≥ 1 % of the Lo value and
 - the total Ci of the external circuit (excluding the cable) is ≥ 1 % of the Co value.

The reduced capacitance of the external circuit (including cable) shall not be greater than 1µF for Group IIB and 600nF for Group IIC.

Notes:
 - The following conditions must be met for the antenna connector
 (total Li of simple apparatus) + (total Lc) ≤ 1 mH
 (total Ci of simple apparatus) + (total Co) ≤ 1 µF
 - The temperature class of Antenna and Arrester must be determined from Po = 20 mW at Antenna Connector.

Only power supply code: A is applicable.

2.8 EMC Conformity Standards

EN61326-1 Class A, Table 2 (For use in industrial locations), EN61326-2-3

Immunity influence during the test

Output shift is specified within ±1% of full span.



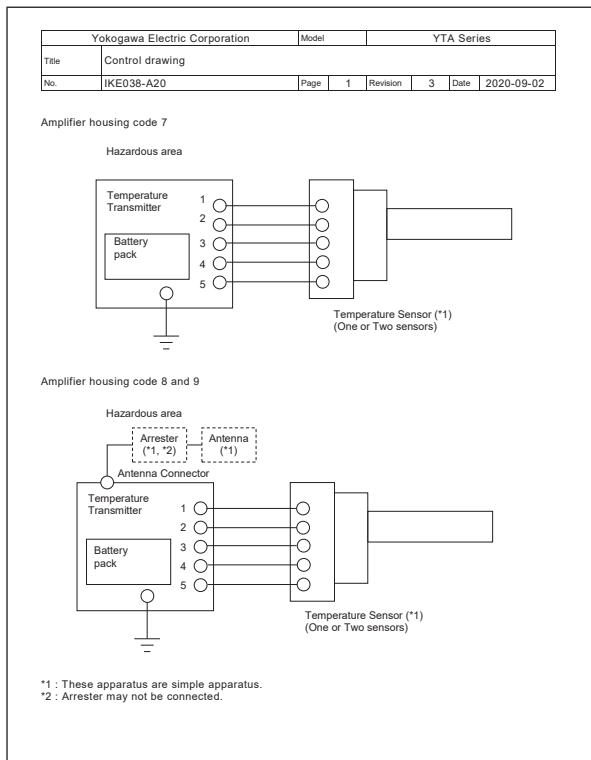
CAUTION

This instrument is a Class A product, and it is designed for use in the industrial environment. Please use this instrument in the industrial environment only.



WARNING

The potential for discharging static electricity should be minimized in mounting this transmitter. For example, do not generate static electricity as the surface of a battery pack or housing is rubbed with cloth.



2.9 Low Voltage Directive

Applicable standard: EN61010-1, EN61010-2-030

(1) Pollution Degree 2

"Pollution degree" describes the degree to which a solid, liquid, or gas which deteriorates dielectric strength or surface resistivity is adhering. " 2 " applies to normal indoor atmosphere. Normally, only non-conductive pollution occurs. Occasionally, however, temporary conductivity caused by condensation must be expected.

(2) Installation Category I (Anticipated transient overvoltage 330 V)

"Overvoltage category (Installation category)" describes a number which defines a transient overvoltage condition. It implies the regulation for impulse withstand voltage. " I " applies to electrical equipment which is supplied from the circuit when appropriate transient overvoltage control means (interfaces) are provided.

(3) Indoor/Outdoor use

It can be used in indoors and outdoors.

(4) Altitude of installation site

Max. 2,000 m above sea level

2.10 Regulatory Compliance for Radio and Telecommunication

Please confirm that a installation region fulfills a standards, require additional regulatory information and approvals, contact to Yokogawa Electric Corporation.

2.11 Radio Equipment Directive (RE)

Hereby, Yokogawa Electric Corporation declares that the radio equipment type YTA510 is in compliance with Directive 2014/53/EU.

The full text of the EU declaration of conformity is available at the following internet address:

<http://www.yokogawa.com/fld/>

2.12 FCC compliance

This equipment contains transmitter module FCC ID:
SGJ-WFC001*1
SGJ-WFC014*2

*1: Only applicable for selecting output signal code -L.

*2: Only applicable for selecting output signal code -1.

This device complies with Part 15 of FCC Rules. Operation is subject to the following two conditions: (1) this device may not cause interference, and (2) this device must accept any interference received, including interference that may cause undesired operation of this device.

Co-located:

This transmitter must not be co-located or operated in conjunction with any other antenna or transmitter.

FCC WARNING:

Changes or modifications not expressly approved by the party responsible for compliance could void the user's authority to operate the equipment.

RF Exposure Compliance:

This equipment complies with FCC radiation exposure limits set forth for an uncontrolled environment and meets the FCC radio frequency (RF) Exposure Guidelines. This equipment should be installed and operated keeping the radiator at least 20 cm or more away from person's body.

2.13 Industry Canada (IC) compliance

This equipment contains transmitter module IC: 8999A-WIC001*1 / 8999A-WIC013*2.

This device complies with ISED's applicable license-exempt RSSs. Operation is subject to the following two conditions: (1) this device may not cause interference, and (2) this device must accept any interference, including interference that may cause undesired ,operation of the device.

This equipment complies with IC radiation exposure limits set forth for an uncontrolled environment and meets RSS-102 of the IC radio frequency (RF) Exposure rules. This equipment should be installed and operated keeping the radiator at least 20 cm or more away from person's body.

This radio transmitter IC Number 8999A-WIC001*1 / 8999A-WIC013*2 has been approved by Industry Canada to operate with the antenna types listed below with the maximum permissible gain indicated. Antenna types not included in this list, having a gain greater than the maximum gain indicated for that type, are strictly prohibited for use with this device.

Antenna type:	Gain:
COLLINEAR	9 dBi*1 / 6 dBi*2
Sleeve	2.14 dBi

French:

Le présent appareil est conforme aux CNR d'ISED applicables aux appareils radio exempts de licence. L'exploitation est autorisée aux deux conditions suivantes : (1) l'appareil ne doit pas produire de brouillage, et (2) l'utilisateur de l'appareil doit accepter tout brouillage radioélectrique subi, même si le brouillage est susceptible d'en compromettre le fonctionnement.

Cet équipement est conforme aux limites d'exposition aux rayonnements énoncées pour un environnement non contrôlé et respecte les règles d'exposition aux fréquences radioélectriques (RF) CNR-102 de l'IC. Cet équipement doit être installé et utilisé en gardant une distance de 20 cm ou plus entre le radiateur et le corps humain.

Le présent émetteur radio IC Number 8999A-WIC001*1 / 8999A-WIC013*2 a été approuvé par Industrie Canada pour fonctionner avec les types d'antenne énumérés ci-dessous et ayant un gain admissible maximal. Les types d'antenne non inclus dans cette liste, et dont le gain est supérieur au gain maximal indiqué, sont strictement interdits pour l'exploitation de l'émetteur.

Antenna type:	Gain:
COLLINEAR	9 dBi*1 / 6 dBi*2
Sleeve	2.14 dBi

*1: Only applicable for selecting output signal code -L.
*2: Only applicable for selecting output signal code -1.

2.14 EU RoHS Directive

Applicable standard: EN IEC 63000

2.15 Korea Certification (KC) compliance

This equipment complies with Korea Certification (KC) for radio equipment as follow.

Registration No.: R-R-YHQ-WRA023
Trade Name or Registrant: Yokogawa Electric Corp.
Equipment Name: Transmitter
Basic Model Number: YTA510-1
Manufacturer: Yokogawa Electric Corp.



CAUTION

사용자 안내문
이 기기는 업무용 환경에서 사용할 목적으로 적합성평가를 받은 기기로서 가정용 환경에서 사용하는 경우 전파간섭의 우려가 있습니다.

4. Installation

4.1 Precautions

- Before installing the transmitter, read the cautionary notes in section 2.4, “Selecting the Installation Location.”
- For additional information on the ambient conditions allowed at the installation location, refer to subsection 10 “General Specifications.”



NOTE

To connect this transmitter to the Field Wireless Network, information for connecting to the field wireless devices needs to be set beforehand. Refer to subsection 6.4 “Connecting to the Field Wireless Network.”



IMPORTANT

-
- When performing on-site pipe fitting work that involves welding, use care to prevent outflow of the welding current into the transmitter.
 - Do not use the transmitter as a foothold for installation.
-

4.2 Mounting

- The mounting bracket shown in Figure 4.1 is used for the transmitter and is installed on 50A (2-inch) pipe. It can be installed either on a horizontal pipe and a vertical pipe or on a wall.
- To install the mounting bracket on the transmitter, torque the transmitter fastening bolt (1) to about 20 to 30 N m.

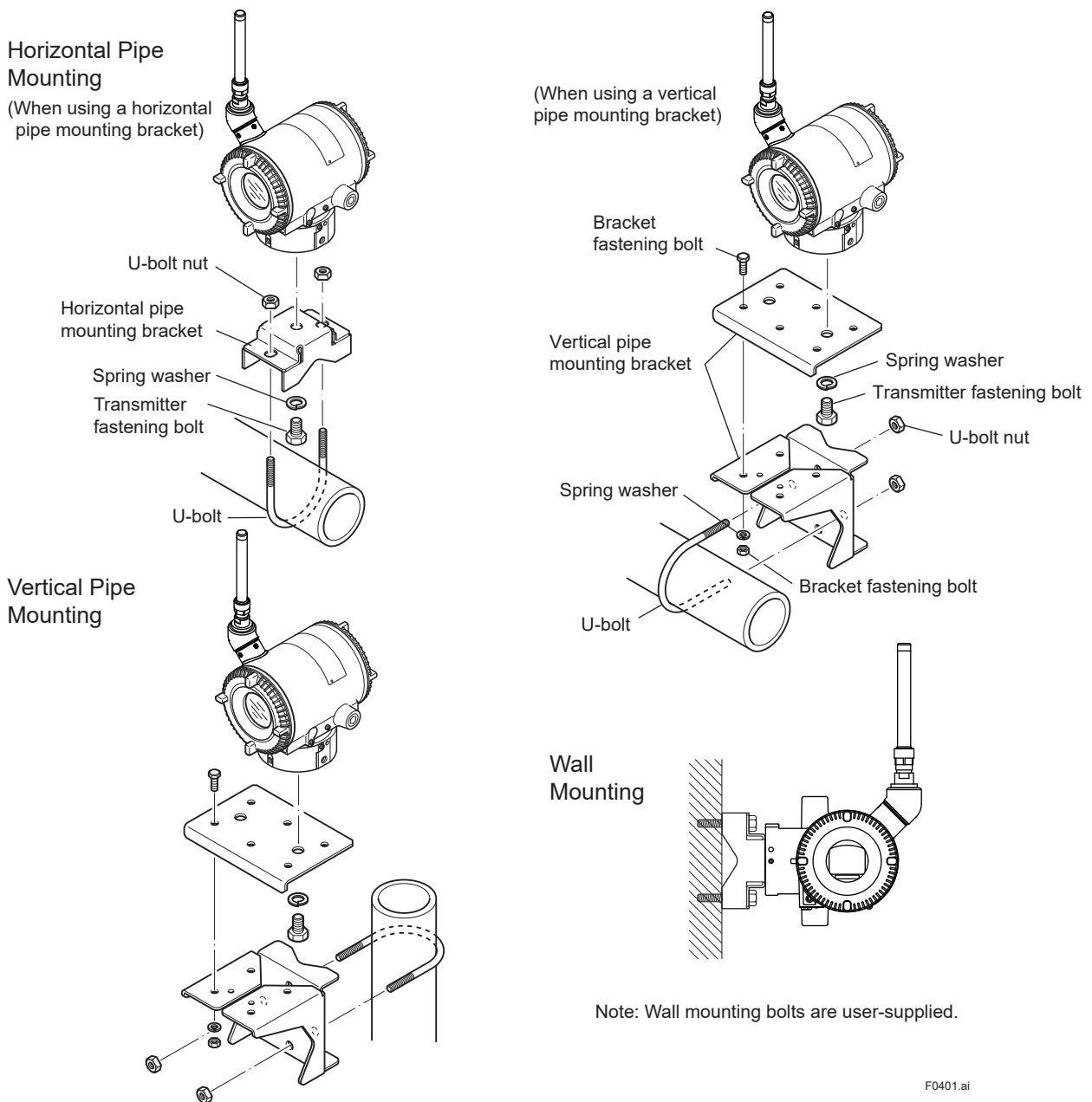


Figure 4.1 Transmitter Mounting

4.3 Changing the Direction of Integral Indicator



Intrinsic safe type transmitters must be, as a rule, remove a battery pack in non-hazardous area before open/close the Amplifier Cover or disassembling and reassembling the Integral Indicator.

An integral indicator can be rotated in four positions at 90°. Follow the instructions in section 8.4.1 for removing and attaching the integral indicator.

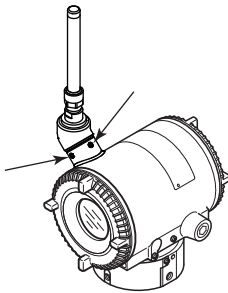
4.4 Changing the Direction of the Antenna

Adjust the direction of the antenna to be in the upright position. The direction of antenna is like Figure 4.2 at the factory setting.

When adjust the electrical connection vertically, change the direction of the antenna.

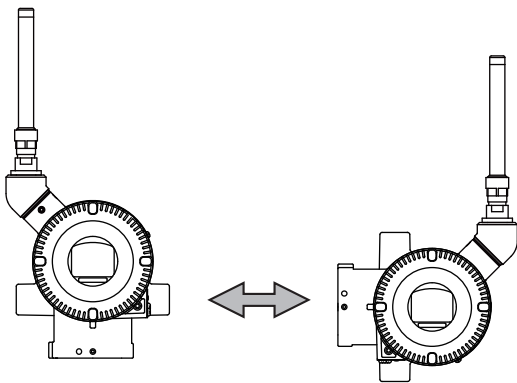
To change the installation angle, follow the procedure below.

- 1) Loosen the two mounting screws at the bottom of the antenna by using a 2.5 mm Allen wrench (see Figure 4.2).
The screws might come off and be lost if loosened too much; loosen the screws by about three rotations.
- 2) Press forward and down 90 degrees by rotating the axis at the bottom of the antenna.
- 3) Tighten the two screws to a torque of 1.5 N·m by using a torque wrench. When doing this, be careful not leave a gap between the antenna and housing.



F0402.ai

Figure 4.2 Mounting Screw Position



F0403.ai

Figure 4.3 Adjusting Antenna Position

5. Wiring

5.1 Notes on Wiring



IMPORTANT

- Apply a waterproofing sealant to the threads of the connection port. (It is recommended that you use non-hardening sealant made of silicon resin for waterproofing.)
- Lay wiring as far away as possible from electrical noise sources such as large transformers, motors and power supplies.
- Remove the wiring connection dust-caps before wiring.
- To prevent electrical noise, the signal cable and the power cable must not be housed in the same conduit.

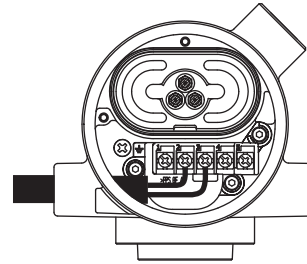
5.2 Cable Selection

A dedicated cable is used for connection between the temperature sensor and the temperature transmitter.

When a thermocouple is used as the temperature sensor, a compensation wire that is appropriate for the type of thermocouple (refer to compensating cables for IEC584-3 thermocouples) must be used. When a resistance temperature sensor (RTD) is used as the temperature sensor, 2-core/3-core/4-core cable must be used (refer to resistance thermometer sensor IEC751). In a place where the cable will be susceptible to the effect of noise, a shielded cable must be used.

The terminal of the dedicated cable is a 4 mm screw.

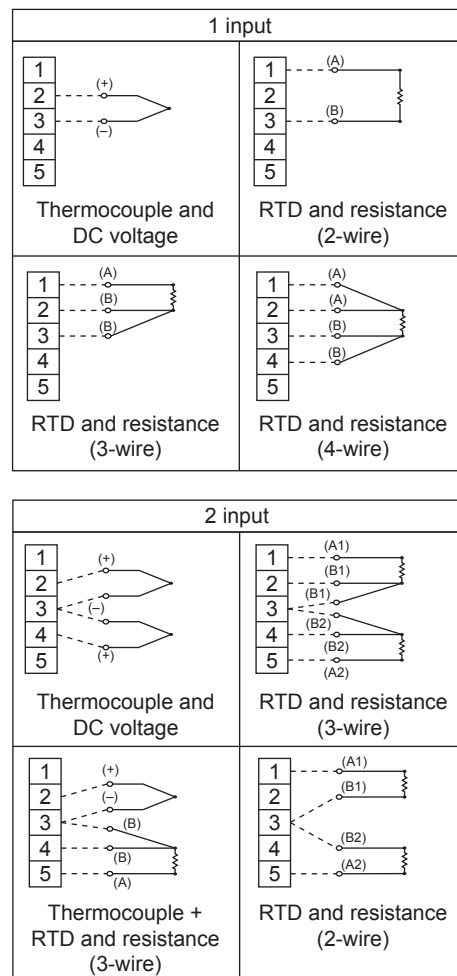
5.3 Cable and Terminal Connections



F0501.ai

Figure 5.1 Input Terminal Connections

The temperature sensor is to be connected as shown in Figures 5.2.



F0502.ai

Figure 5.2 YTA510 Input Terminal Wire Connection Diagram

5.4 Wiring Cautions

Use metal conduit wiring or a waterproof gland (metal wiring conduit JIS F 8801) for cable wiring.

- Apply non-hardening sealant to the threads of the wiring tap and a flexible fitting for secure waterproofing.

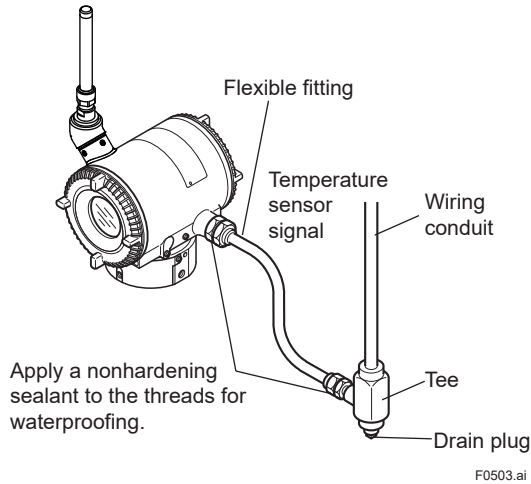


Figure 5.3 Example of Wiring Using a Wiring Conduit

5.5 Mounting Antenna and Wiring

An antenna is not attached to the transmitter. The following provides the instructions for mounting the antenna and installing the remote antenna and wiring using antenna extension cable.



IMPORTANT

The antenna connector is covered with a cap at the time of delivery. Keep the cap attached until the installation of the antenna or antenna cables to protect the inside connection part. The unscrewed cap should be stored in order to replace it immediately after the antenna or antenna cables are removed.



CAUTION

To maintain the ultimate conditions of radio-frequency signal, protect the connectors of antenna, extension antenna cable, and surge protective device from the corrosive atmosphere by the following treatment.

1. Clean the connection to be protected.
2. Wind the butyl rubber self-bonding tape around the connection. See the manual of the tape about the winding.
3. To protect the butyl rubber self-bonding tape from the environment such as ultraviolet rays and so on, wind vinyl tape (or a vinyl type self-bonding tape) on it.

5.5.1 Mounting the Antenna

Screw the provided antenna into the antenna connector of the transmitter. The antenna may be sold as available accessories and supplied separately.

1. Unscrew the antenna connector cap on the antenna connector.
2. Screw the provided antenna into the antenna connector. Tighten the antenna connector with a torque of 2 to 3 N•m.

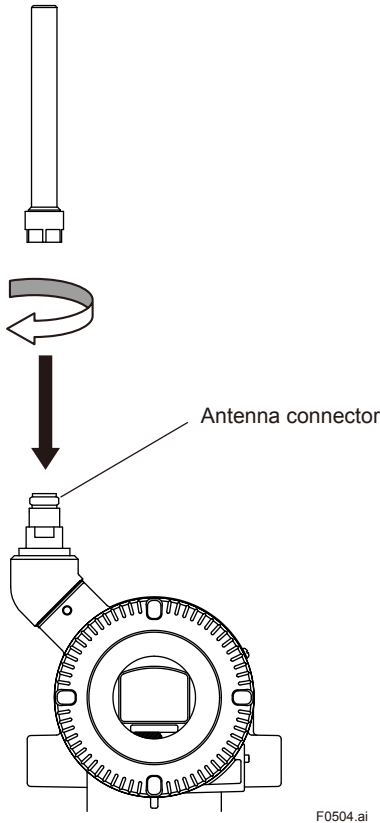


Figure 5.4 Mounting the Antenna

CAUTION

When installing the antenna, screw the antenna by tightening the lower nut part. Screwing the antenna by holding the antenna body may cause failure such as cable disconnection. The same manner should be taken when unscrewing the antenna.

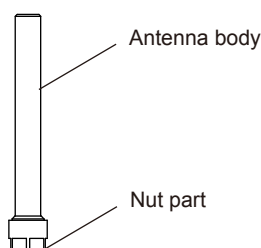


Figure 5.5 Antenna

5.5.2 Mounting External Antenna and Wiring Antenna Extension Cable

5.5.2.1 Mounting of External Antenna

Mount the external antenna at the proper location according to the wireless environment described in 2.4 Selecting the Installation Location. The mounting to the pipe such as 50 mm (2-inch) pipe needs to secure the enough strength to endure a strong wind, vibration and so on. The antenna must be mounted vertically.

■ Fixing of External Antenna

Fix an external antenna appropriately using the bracket provided as the external antenna option to 50 mm (2-inch) pipe.

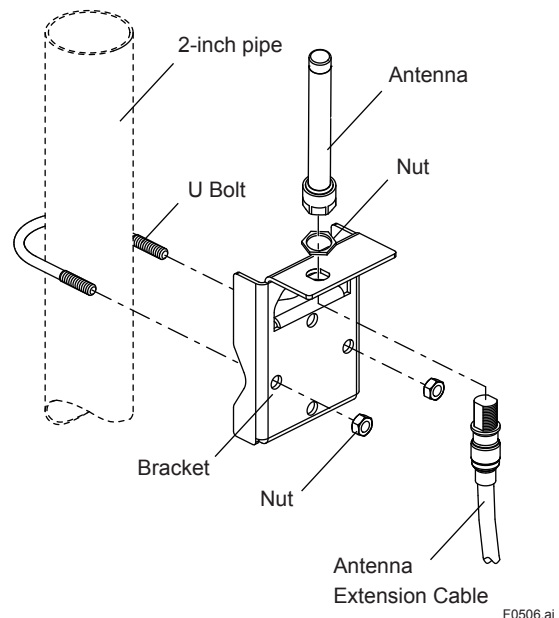
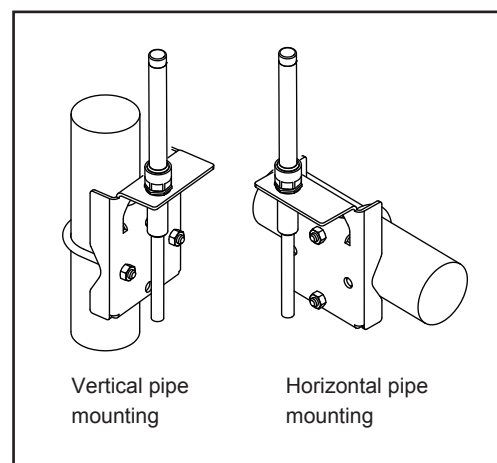


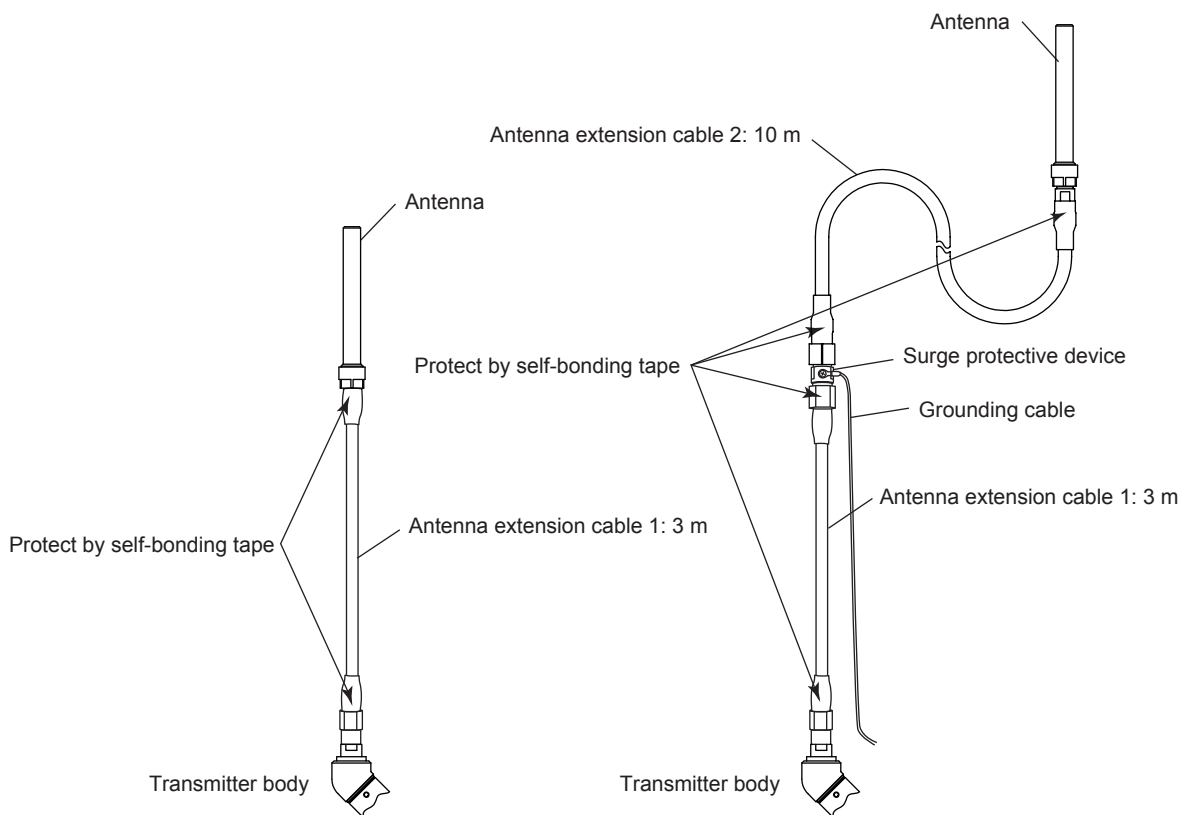
Figure 5.6 Fixing the External Antenna

■ **Mounting Procedure of External Antenna**

1. Fix the bracket by U-bolt and nut to 50 mm (2-inch) pipe.
2. Fix the antenna extension cable to the bracket 1 using the provided nut with a torque of 6 to 7 N·m as shown in the Figure 5.6. Use the nut which is attached to the antenna extension cable.
3. Screw the antenna into the antenna connector of the antenna extension cable on the bracket 1.
Tighten the antenna connector with a torque of 2 to 3 N·m.
4. Protect the connection as necessary. For details of the protection, see “5.5 Mounting Antenna and Wiring.”

5.5.2.2 Wiring of Antenna Extension Cable

1. Use the provided antenna extension cable to connect the antenna connector with the external antenna. Tighten the connector of the antenna extension cable with a torque of 2 to 3 N·m. The minimum bending radius while checking the wiring position should be more than 200 mm.
2. When using two extension cables, the provided surge protective device should be inserted between these cables.
3. Before the wiring work, confirm the polarities (male/female) of the connectors of antenna, extension antenna cable, and surge protective device. Tighten the connector of the antenna extension cable with a torque of 2 to 3 N·m.
4. Protect the connectors of antenna, extension antenna cable, and surge protective device as necessary. See “6.1 Mounting Antenna and Wiring.”
5. Fix the extension antenna cable to the appropriate structure to protect the cable from the vibration, wind, and so on. The minimum bending radius for fixing in the state maintained for a long period should be more than 80 mm.



F0507.ai

Figure 5.7 Wiring the Antenna Extension Cable

 **CAUTION**

- Use the dedicated antenna extension cable provided by Yokogawa as accessories for the transmitters.
- The antenna extension cable and temperature sensor cable should not be bundled together.

5.5.2.3 Mounting of Surge Protective Device and Wiring

Mount an surge protective device between the extension cables and connect the grounding cable to the grounding terminal of the surge protective device as required.

Connect the grounding cable to the grounding terminal on the transmitter body. Class C grounding with the grounding resistance of 10 Ω or less is necessary. Do not share the ground with other devices.

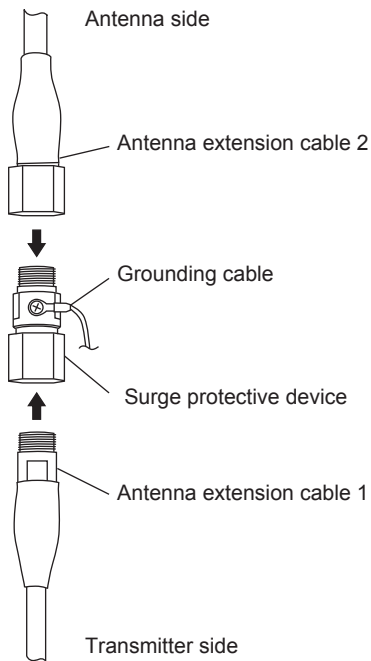


Figure 5.8 Connection of the Surge Protective Device and Antenna Extension Cable

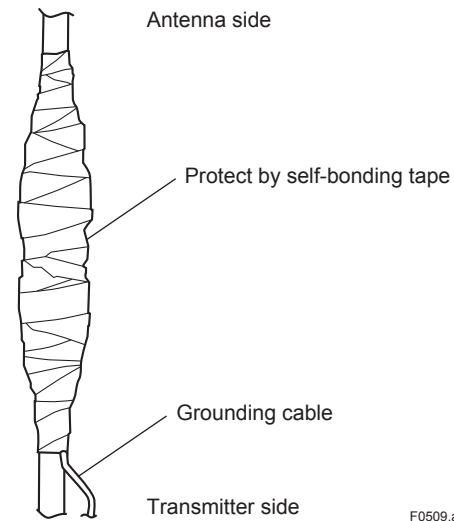


Figure 5.9 Surge Protective Device Protection by Self-bonding Tape

5.6 Grounding

When using the antenna extension cable with an arrester, Class C grounding with the grounding resistance of 10 Ω is required. In other cases, always ground the transmitter case in accordance with national and local electrical codes. The most effective transmitter case grounding method is a direct connection to earth ground with minimal impedance.

Grounding terminals are located inside and outside of the terminal block respectively. Any of them may be used.

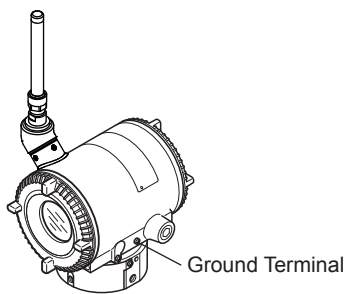


IMPORTANT

Proper grounding is necessary to maintain the function and performance of this product. When the grounding is inadequate, the equipment may be damaged.

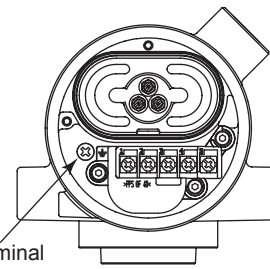
Refer to TI 01W01A58-01EN for details of grounding method and precautions.

- Use a grounding cable of AWG 14 (2 mm²) or more between the grounding electrode and the grounding terminal of this product, and connect with the shortest route.
- Select the grounding cable that has a structure of adequately protects against mechanical damage, chemical or electrical degradation, electrodynamic force and thermodynamic force for connection of the grounding electrode and the ground terminal of this product.



F0510.ai

Figure 5.10 Ground Terminal



F0511.ai

Figure 5.11 Ground Terminal inside the Terminal Cover



CAUTION

Grounding is required for safe operation. The temperature sensor cable sheild should be connected to grounding terminal inside of the housing.

5.7 Power Supply Wiring Precautions



IMPORTANT

- All threaded parts must be treated with waterproofing sealant. (A non-hardening silicone group sealant is recommended.)
- Lay wiring as far as possible from electrical noise sources such as large capacity motors or power supplies.
- Remove the electrical connection dust cap before wiring.

5.8 Selecting the Wiring Materials

- Use stranded leadwires or cables which are the same as or better than 600 V grade PVC insulated wire (JIS C3307) or its equivalent.
- Use shielded wires in areas that are susceptible to electrical noise.
- In areas with higher or lower ambient temperatures, use appropriate wires or cables.
- In environment where oils, solvents, corrosive gases or liquids may be present, use wires or cables that are resistant to such substances.
- It is recommended that crimp-on solderless terminal lugs (for 4 mm screws) with insulating sleeves be used for leadwire ends.

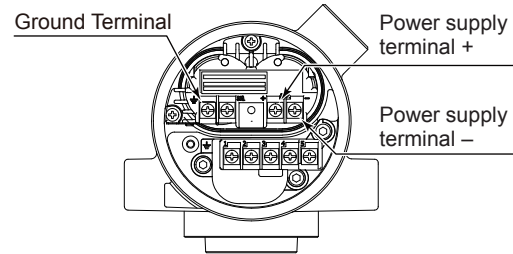


IMPORTANT

External powered type does not have a power switch. Install a breaker on the power supply line and turn the power ON/OFF.

5.9 Connection of the External Power Source Terminal

For the external powered type, connect the power supply wiring to + and – terminals. If the power supply cable has shield wires, connect the cable shield to the ground terminal.



F0512.ai

Figure 5.12 Connection of External Power Source Terminal

(Note) To protect against excessive surge, be sure to tighten the ground terminal about 0.7 N·m regardless of the shield cable connection.



IMPORTANT

- Connecting with the commercial AC power source will damage the device. Be sure to use the DC power source in the predetermined range.
- When connecting to the DC power source, be careful not to connect the polarity reversely.
 - SUPPLY + terminal: Connect to + side of the external power source
 - SUPPLY – terminal: Connect to – side of the external power source

6. Operation

6.1 Preparation for Starting Operation



NOTE

It is required to set security and network information to enable the transmitter to be connected to the Field Wireless Network. For more details, refer to subsection 6.4 “Connecting to the Field Wireless Network”.

- 1) Checking Installation and Wiring
 Ensure that the transmitter is installed correctly and the temperature sensor is connected correctly according to the procedures described in section 4 “Installation”, and section 5 “Wiring”. When connecting the thermocouple, particular attention needs to be paid because the transmitter cannot detect a wrong polarity connection.
- 2) Insert batteries into the battery case, and install to the transmitter. To insert batteries into the battery case, be careful to polarity of batteries and battery case. For details of Installation of battery, refer to section 8.4.5 and 8.4.6. Battery case is installed in the transmitter when shipped from the factory, however, batteries are sold separately and not included.
- 3) Using the device configuration tool confirm that transmitter is operation properly. Check parameter values or change the setpoints as necessary.

If the transmitter is equipped with an integral indicator, its indication can be used to confirm that the transmitter is operating properly. For details on how to confirm this, refer to subsection 7.4 “Self-Diagnostics.” ISA100 devices display self-diagnostic information in an easy-to-understand manner using four categories (Check function, Maintenance required, Failure, and Off specification) according to NAMUR NE107*

* NAMUR NE107 “Self-Monitoring and Diagnosis of Field Devices”

- **Confirm that transmitter is operating properly by integral indicator.**

If the transmitter is faulty, an error code is displayed.

Self-diagnostic error on the integral indicator (Faulty transmitter)



F0601.ai

Figure 6.1 Integral Indicator with Error Code



NOTE

If any of the above errors are indicated on the display of the integral indicator or the device configuration tool, refer to subsection 8.5.3 for the corrective action.

- **Verify and Change Transmitter Parameter Setting and Values**

The parameters related to the following items are set at factory as specified in order.

- Input sensor type
- Connection of RTD
- Measurement range (measurement lower/ upper limit, unit)

6.2 Zero-gain Adjustment



IMPORTANT

After performing zero-gain adjustment, do not power off the transmitter immediately. Turning off the power within 30 seconds resets the zero-gain adjustment value to the value before the adjustment.

Furthermore, setting the sensor type automatically resets the zero-gain adjustment value to the factory setting

When the preparation for starting operation is completed, perform a zero-gain adjustment as necessary.

This transmitter is fully calibrated at the factory and basically re-calibration is not necessary; however, users can make the zero-gain adjustment.

The zero-gain adjustment of this transmitter can be performed by the following steps.

- 1) Apply the lower limit of process temperature to the sensor. Set the lower limit temperature using the device configuration tool.
- 2) Apply the upper limit of process temperature to the sensor. Set the upper limit temperature using the device configuration tool.

The zero-gain adjustment should be performed when the input to the temperature sensor is stabilized.

For details on the zero-gain adjustment, refer to subsection 7.3.13 Input calibration.

6.3 Starting Operation

Ensure that the installation, the wiring, the network connection, and the action of the transmitter are correct before starting operation.



IMPORTANT

Close the terminal box cover and the amplifier cover. Screw each cover in tightly until it will not turn further.

6.4 Connecting to the Field Wireless Network

■ Preparation work prior to connecting to a field wireless network

This transmitter does not need to be connected with a physical wire. Instead of physical wiring, it is necessary to set the field wireless devices to communicate with before installing the transmitter. This procedure is called a provisioning.

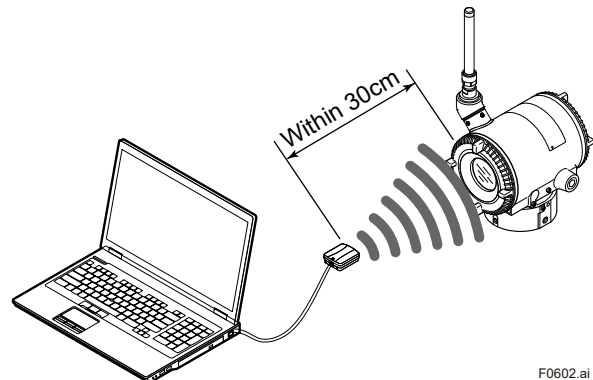
This transmitter supports provisioning via infrared communication using a provisioning device and can be securely connected to a network. If the provisioning information is not set, the transmitter cannot be connected to the field wireless network.

Provisioning:

Provisioning is work to set the security and network information to enable the transmitter to be connected to the field wireless network.

This transmitter supports a provisioning method using infrared communication.

For details on provisioning using a provisioning device, connecting to a field wireless network and the setting procedure, refer to the User's Manual, FieldMate Versatile Device Management Wizard (IM 01R01A01-01E) and YFGW410 Field Wireless Management Station (IM 01W02D01-01EN).



F0602.ai

Figure 6.2 Provisioning Example

■ **Provisioning work**

This subsection describes provisioning work using FieldMate as the provisioning device. Provisioning work performs provisioning for each field wireless device using FieldMate and an infrared adapter.

When using the Yokogawa recommended near infrared adapter for the provisioning device, the distance between the front glass of this instrument and the infrared surface of the near infrared adapter should be within 30 cm. For details on the Yokogawa recommended infrared adapter, refer to subsection 8.2 “Callibration Instruments Selection”. Perform the following provisioning tasks.

- Setting provisioning information
- Creating a provisioning information file

1) Setting provisioning information

Set the device tag and Network ID using a FieldMate provisioning function. The device tag, Network ID, and join key are set in the field wireless device. It is not necessary to input a join key because FieldMate automatically generates it.

- Setting device tag
The device tag is used for the user to recognize the field wireless device.
- Setting Network ID
This is the Network ID for the field wireless network to which the field wireless device is connected. Set a value from 2 to 65535.

The field wireless device is connected to the field wireless network corresponding to the Network ID set by provisioning work.

2) Creating a provisioning information file

The following provisioned information is stored in the provisioning information file.

- Network ID
- Device tag
- EUI64
- Join key
- Provisioner (name of the user who performed provisioning work by FieldMate)
- Date (Time and date when provisioning was performed by FieldMate)

This provisioning information file is required to load from the field wireless configurator to the field wireless integrated gateway. Store the file carefully.

■ **Connecting to a field wireless network**

The action after installing the battery pack or turning on the power varies depending on the silence setting.

Mounting the battery pack or turning on the power automatically starts a search for the field wireless network and the transmitter goes into the join state when the field wireless gateway is found. If the field wireless gateway is not found and a specified time based on the silence mode has elapsed, a cycle of a 1-hour pause and 6-minute search is repeated until the transmitter can join the field wireless network.

For details on the silence setting, refer to subsection 7.3.15 Switching to the Silence Mode.

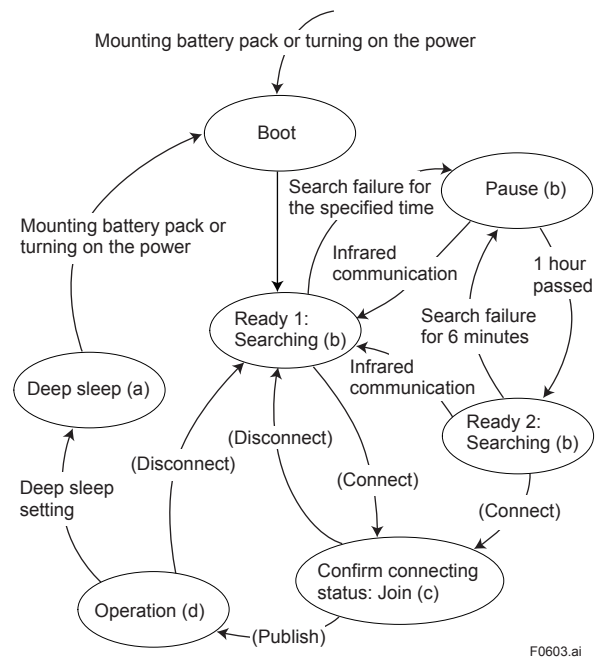
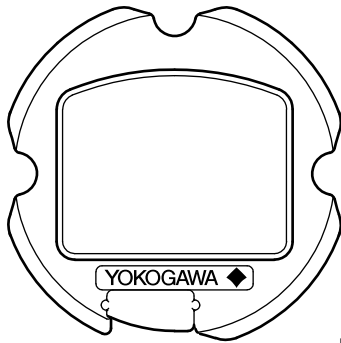


Figure 6.3 Wireless Status Transition

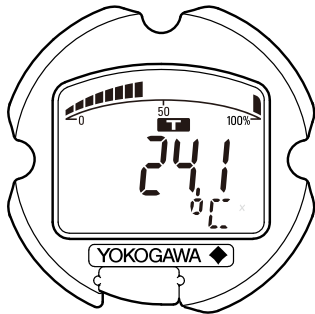
F0603.ai

(a) Deep sleep



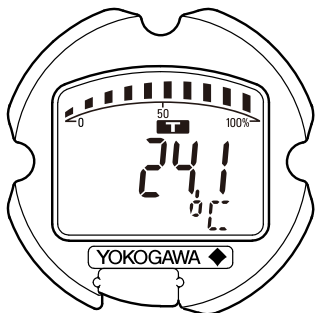
F0604.ai

(b) Ready and pause



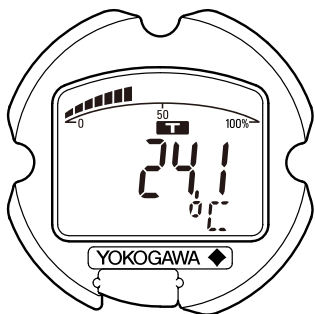
F0605.ai

(c) Confirm connecting status



F0606.ai

(d) Join



F0607.ai



NOTE

If the transmitter searches the Field wireless Network for long time ambient temperature condition, sometimes error "AL.20 LOWBAT" is displayed on the Integral Indicator. Even though using new batteries, it can occur. It occurs because of battery characteristics. After joining to the Field Wireless Network, this error will be cleared within one hour if battery has no failure.

6.5 Shutting Down the Transmitter

When shut down the transmitter, turn off the power or remove the battery pack or set the transmitter to deep sleep mode by the device configuration tool.



NOTE

- Refer to subsection 8.4.4 "Replacing the Battery Pack" for the battery pack removing.
- When storing the instrument with a battery pack inserted, it is recommended to put the instrument into deep sleep mode to conserve battery power. For details on how to switch to deep sleep mode, refer to subsection 7.3.14 "Switching to the Deep Sleep Mode."

7. Setting Parameters

This transmitter can remotely handle sensor type changes, range changes, Tag No. setup, monitoring of self-diagnostic results, according to communication with the field wireless configuration tool or the device configuration tool.

7.1 Environment for parameter setting

After installing the battery pack or turn on the power, perform provisioning and have the instrument join the field wireless network.

This transmitter supports the OOB (out-of-band) method using infrared communication. For details on how to provisioning, refer to section 6.4 “Connection to Field Wireless network”

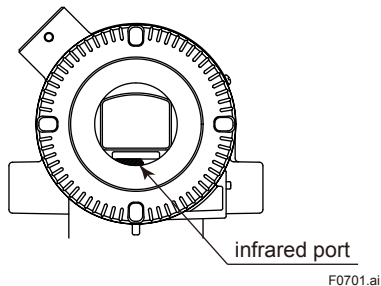


Figure 7.1 Connecting the configuration Tool

7.2 Preparing Software

7.2.1 Softwares for the Field Wireless Configuration Tool and the Device Configuration Tool

Before using the device configuration tool, confirm that CF/DD and DeviceDTM for your transmitter (wireless YTA) are installed in the device configuration tool.

Refer to the following website for the latest information on CF/DD and DeviceDTM.

<http://www.yokogawa.com>

CF (Capabilities File) / DD (Device Description)

A CF file contains information, such as the vendor of the field device, its model and revision, available types of process data (flow rate, temperature, pressure, etc.), and number of data items. A DD file contains the information on parameters, such as data structures and attributes.

DeviceDTM

DeviceDTM, (Device Type Manager) is driver software for field devices provided based on the FDT (Field Device Tool) technology.

The field wireless configuration tool or the device configuration tool allows confirming the device information.

Refer to Subsection 8.2 “Calibration Instruments Selection” for the field wireless configuration tool or the device configuration tool of our recommendation.

7.2.2 Software Download

Software download function permits to update wireless field device software via ISA100.11a wireless communication. For details, refer to YFGW410 Field Wireless Management Station (IM 01W02D01-01EN).

7.3 Setting Parameters

7.3.1 Parameter Usage and Selection

Before setting a parameter, please see the following table for a summary of how and when each parameter is used. This instrument is applicable for not only single sensor input but also dual sensor input assigned to AI1/AI2 accordingly.



IMPORTANT

After setting and sending data with the field wireless configuration tool or the device configuration tool, wait 30 seconds before turning off the transmitter. If it is turned off too soon, the settings will not be stored in the transmitter.

Table 7.1 Parameter Usage and Selection

Item	Description
Tag No	Sets the tag No. for Device Tag (software tag). The tag No. can be set Sixteen characters (alphanumeric characters, including - and •).
Output mode	Allows outputting process value and self-diagnostic information via field wireless network. Either or all of temperature / voltage / resistance (AI1/AI2: Process Value), and self-diagnostic information (UAPMO: Diagnostic Status) can be set output data.
Range	Range corresponding for 0% to 100% signal is set with actual input applied.
Integral indicator display setting	Sets the process value, bar graph to display on the LCD.
Display temperature unit setting	Sets the temperature unit to display.
Burnout setting	Sets the output status when the input sensor has burned out.
Zero-gain adjustment setting	Sets the input adjustment function using two adjustment points..
Reset adjustment value	Reset the trim adjustment to the factory setting. The zero-gain adjustment set by user can be returned to the factory setting.
Software write protect	Prohibit writing the setting data.
Adjustment information and memo field	Memo field available to write the check date, checker and others (as an adjustment information), or anything.
Operational mode	Set the operational mode of the sensor and integral indicator, etc.



NOTE

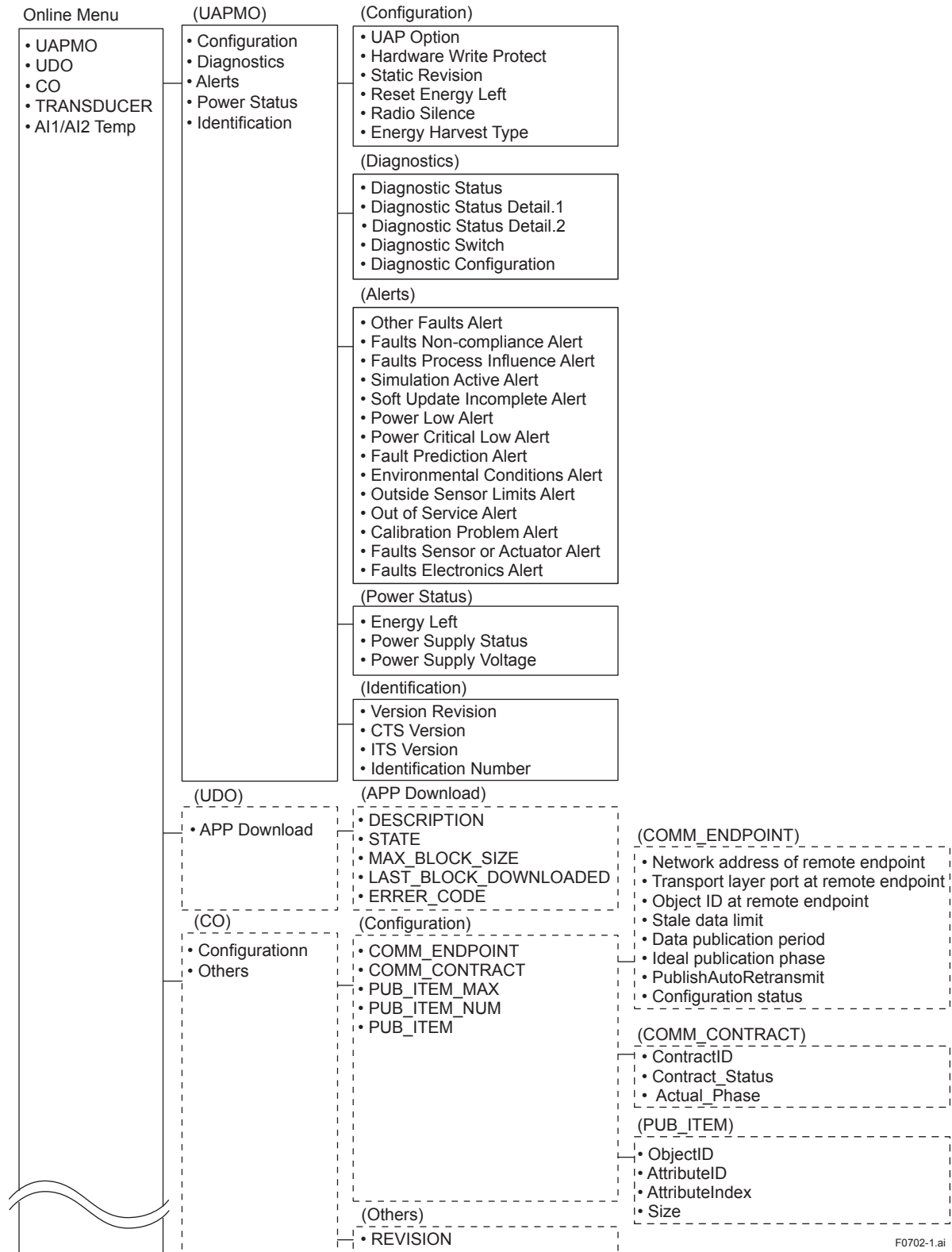
Some of the parameter settings are in the dialogue form called method, the on-line instructions you can configure the parameters easily.

7.3.2 Function Block and Menu Tree

(1) Function Block

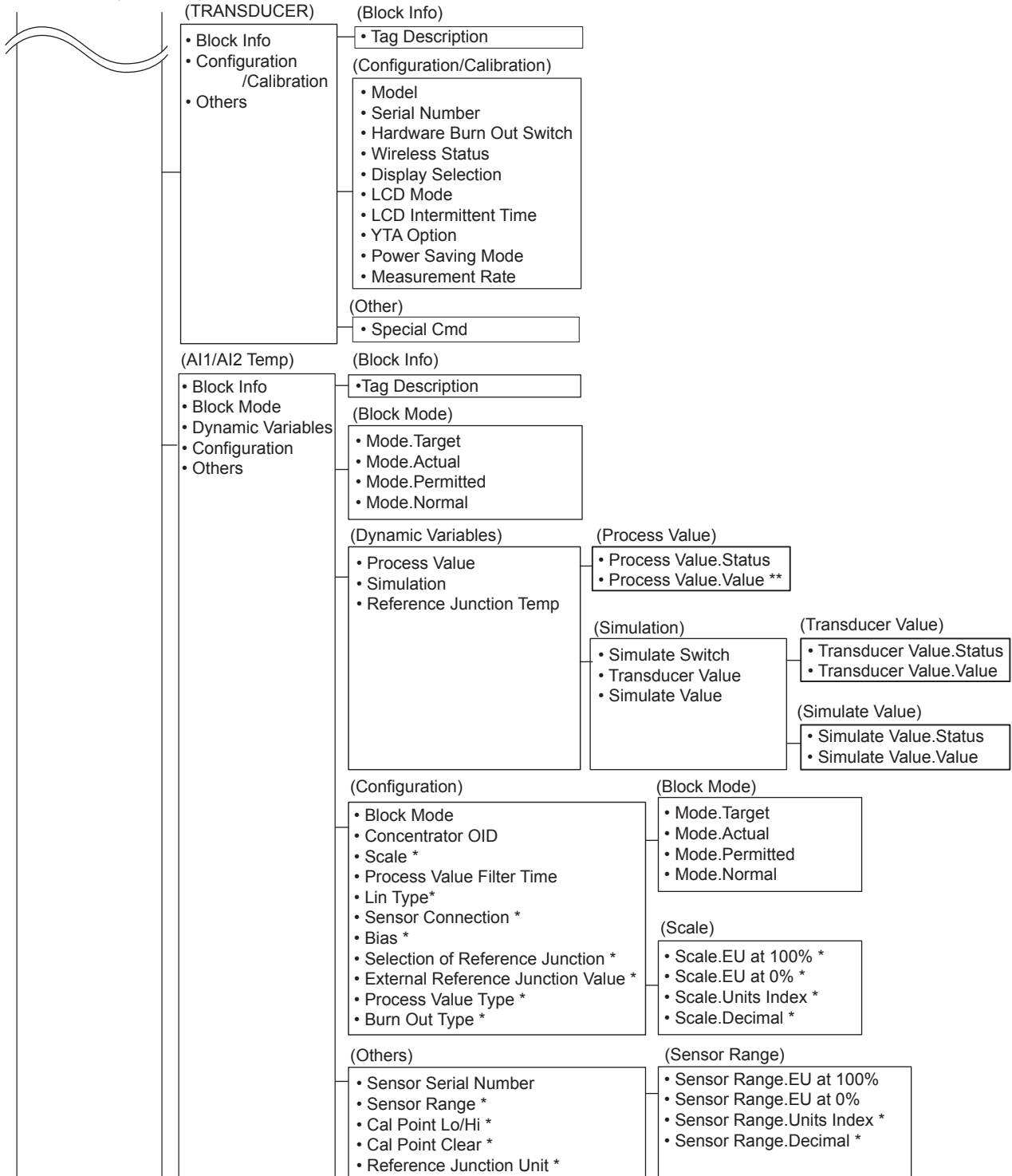
The function of this transmitter is shown below. A specific function might not be able to be used according to the field wireless configuration tool used. When the field wireless configuration tool of our recommendation is used, the software attached to the Field Wireless Integrated Gateway is necessary for setting the dotted line part.

Refer to Subsection 8.2 “Calibration Instruments Selection” for the field wireless configuration tool of our recommendation.



F0702-1.ai

Online Menu (Continued)

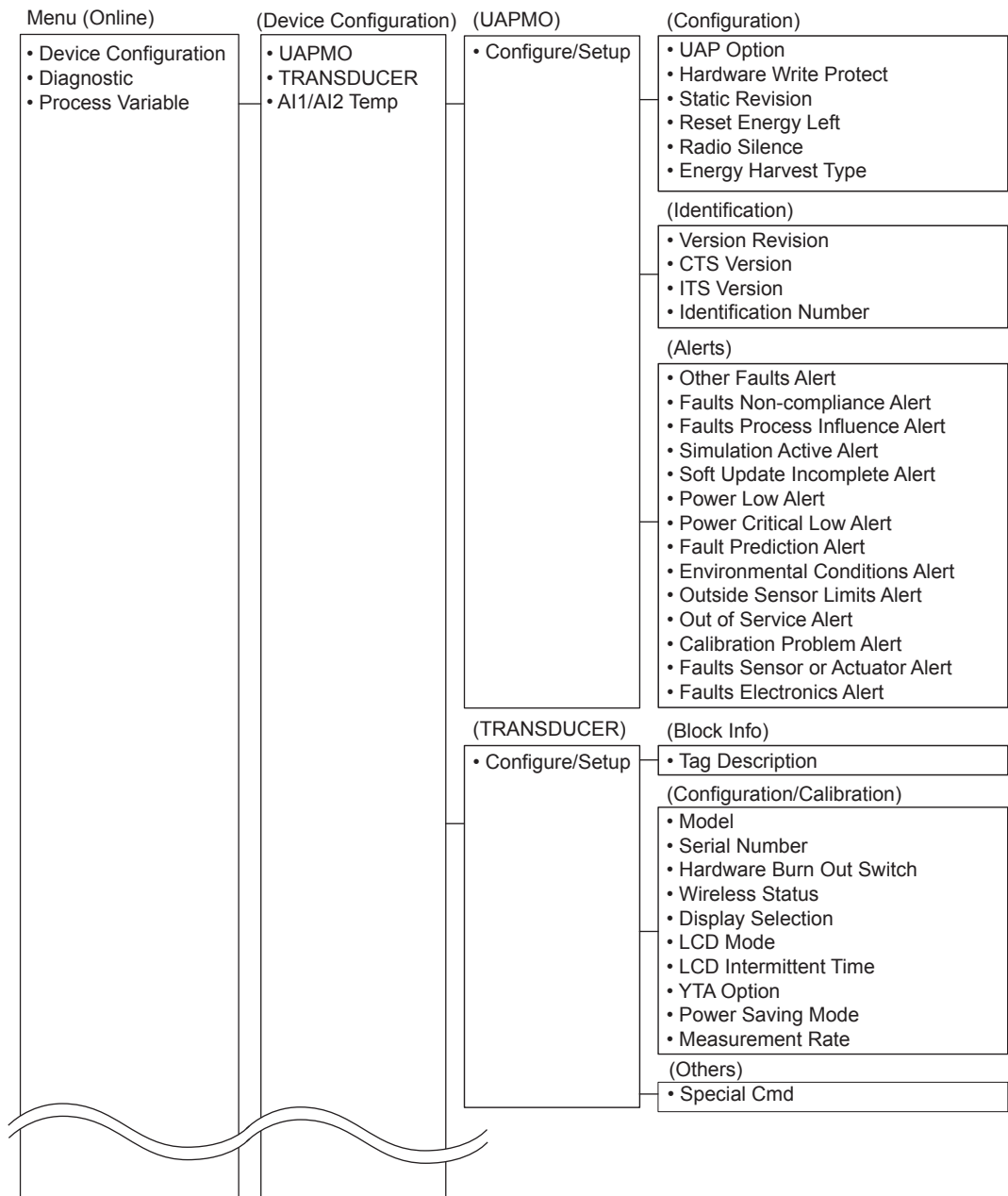


F0702-2.ai

*: When the data of these parameters is rewritten, it is necessary to set the operational mode of the block to O/S (Out of Service).
 **: When the data of these parameters is rewritten, it is necessary to set the operational mode of the block to Manual.

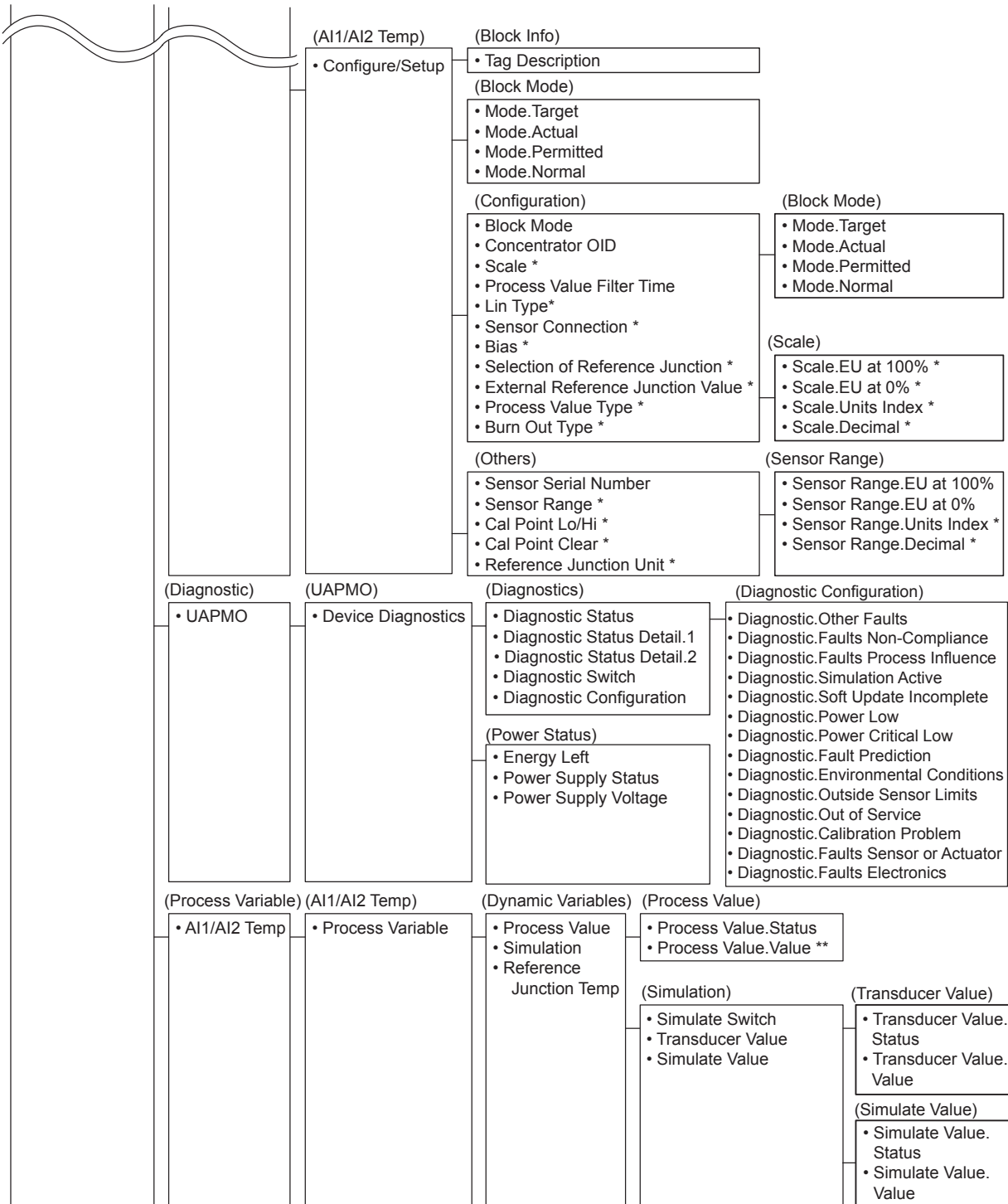
(2) Menu Tree

The menu tree of the device configuration tool of our recommendation is shown below. Refer to Subsection 8.2 “Calibration Instruments Selection” for the device configuration tool of our recommendation.



F0703-1.ai

Online Menu (Continued)



F0703-2.ai

*: When the data of these parameters is rewritten, it is necessary to set the operational mode of the block to O/S (Out of Service).
 **: When the data of these parameters is rewritten, it is necessary to set the operational mode of the block to Manual.

7.3.3 Parameters for Wireless Communication

(1) Network Information

Concentrator object block: Configuration.

The network-related information can be checked.

(2) Update Time

CO block: Data publication period

Sets the update time value to 1 to 3,600 seconds. When using two temperature sensors, the minimum update time is 2 seconds. The setting affects the battery life.

When update time is set 0 seconds, the transmitter is stopped to update process variables by way of the field wireless network. And the transmitter continues to measure process variables with special interval time internally.

(3) Remaining battery life

UAPMO block: Energy Left

The number of days of battery life remaining is indicated assuming ambient temperature condition as 23 degrees Celsius. It takes several days for the indicated value to be stabilized after the power on and initialization of the remaining battery life.

UAPMO block : Reset Energy Left

When changing batteries, the remaining battery life is initialized by Reset Energy Left parameter.

(4) LCD display

The following steps describe how to set LCD display.

1. On/Off of display
When "Enable" in LCD Mode is selected, the LCD displays a set of screens to be shown and turns off for the specified time based on LCD Intermittent Time, and the display keeps the cycle repeatedly. Not selecting this parameter turns the LCD off.
2. On/Off of continuous display mode
When "Enable" is set to LCD Mode and zero is set to LCD Intermittent Time, the LCD displays continuously.
3. On/Off of bar graph
Select "LCD Bargraph ON" in LCD Mode when the bar graph is required.

When the wireless connection process is in the status of "ready," "pause," or "join," the LCD display stays on regardless of the status in LCD Mode.



NOTE

When the device detects AL02, AL03, AL10, AL11 and AL12 the LCD display stays on regardless of the status in LCD mode. See Table 8.4 Error Message Summary for details.

7.3.4 Tag and Device Information

If these are specified when ordering, the designated Tag No. and device information are set and shipped.

Tag No. and device information can be checked as follows.

- Procedure to call up the tag No. and device information
 - Device Tag (Software Tag)
This is specified when writing characters (up to 16 characters) that differ from those specified in Tag No. to the amplifier tag. For details on how to confirm this, refer to subsection 6.4. "Connecting to the Field Wireless Network".
 - Tag Description
This is a universal parameter to store the comment that describes the content of the tag located in the TRANSDUCER and AI blocks.
- Limitation of Device Information
When changing the device information, input the information based on the following limitation on the number of characters.
 - Message function (up to 32 characters)
TRANSDUCER block : Tag Description
AI1/AI2 block : Tag Description

7.3.5 Setup the Integral Indicator

As for the integral indicator display, either the temperature, voltage, resistance or the % value of the temperature, voltage, resistance can be selected and displayed. The display is in the output format of the process value.

Specify AI block to display on the LCD.

- LCD display parameter (Display Selection)
 - Select AI block to display on the LCD from AI1 or AI2.
- Call up the display parameter (Process Value Type)
 - AI1 block: Configuration: Process Value Type
 - Either actual target value (Direct) or % (Indirect) can be selected.

7.3.6 Power Saving Mode Setting

Enabling the power saving mode on prolongs the battery life of the transmitter, in which the transmitter's measurement and calculation are suitable for general use with a gradual change in the process and ambient temperature. On the other hand, when the power saving mode is set to off, the transmitter is capable of a steep change in the process and ambient temperature with its high responsiveness trading off of the battery life.

- Procedure to call up the power saving mode
 - TRANSDUCER block : Power Saving Mode
 - Off: Disable
 - On: Enable

7.3.7 Unit

The unit for the process value is set at the factory. The specified unit of the input sensors set (°C if not specified).

When the unit of the temperature, voltage, and resistance is displayed, set the Process Value Type parameter to actual target value (Direct).

And sensor type set by the sensor type setting parameter (Lin Type) must be corresponded with the unit displayed.

When using the resistance temperature sensor or the thermocouple sensor, unit displayed set °C or others, using voltage, set mV, and using resistance, set ohm.

The unit can be set by following the procedure below.

- Procedure to call up the unit parameter (Units Index)
 - AI1/AI2 block: Scale : Units Index
 - To change the unit, select the desired unit from the displayed unit list.

7.3.8 Measurement Range

The unit parameter is set at the factory before shipment if specified at the time of order. To change the measurement range, follow the procedure below.

- Procedure to call up the lower limit setting parameter (EU at 0%)
 - AI1/AI2 block : Scale : EU at 0%
- Procedure to call up the upper limit setting parameter (EU at 100%)
 - AI1/AI2 block: Scale : EU at 100%

Set the lower limit setting parameter (EU at 0%) and upper limit setting parameter (EU at 100%) to the unit specified in the unit parameter (Units Index).

7.3.9 Input Sensor

When changing the sensor type, it is necessary to change the parameters related to the sensor type. The setting items are the sensor type and the number of cables. The input terminal of YTA supports the following sensor types.

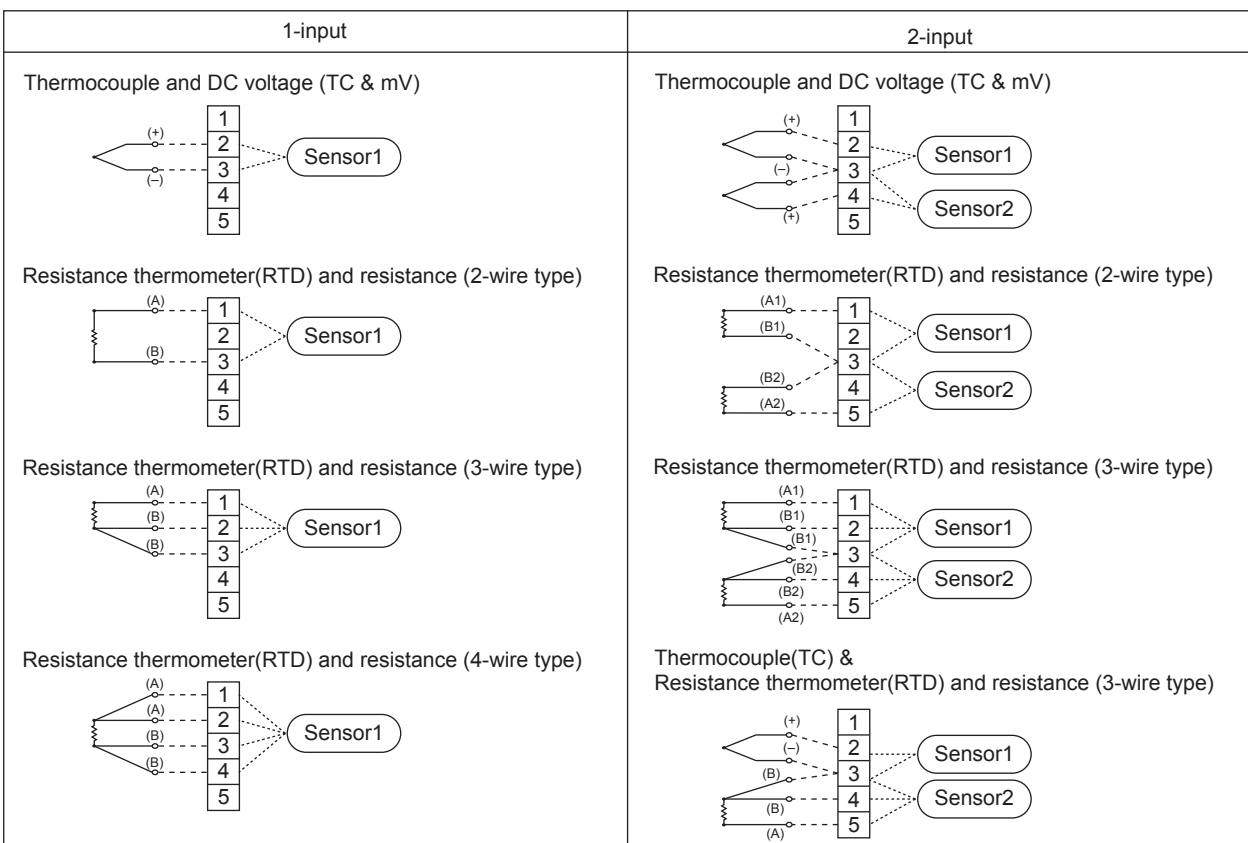
Thermocouple: TYPE B, E, J, K, N, R, S, T (IEC 584)

Resistance thermometer (RTD): Pt100, Pt200, Pt500 (IEC 751)

Resistance: 0 to 2000 ohm

DC voltage mV:
-10 to 220 mV

Check the connections between the input terminals and temperature sensors and set the correct sensor type and the number of wire connections for the parameters. (Refer to Figure 7.2)



F0704.ai

Figure 7.2 YTA510 Wire Connection Diagram

1) Setting the Sensor Type

- Procedure to call up the sensor type setting parameter (Lin Type)

AI1/AI2 block: Lin Type

Set the sensor type.

- Procedure to call up the sensor type information parameter (Sensor Range)

AI1/AI2 block: Sensor Range : EU at 0%

AI1/AI2 block: Sensor Range : EU at 100%

Displays the lower and upper limit values that can be measured by the sensor type set in the sensor type setting parameter (Lin Type) as the lower limit information parameter (EU at 0%) and the upper limit information parameter (EU at 100%).

2) Setting the Temperature Sensor Connection

This is set when using the resistance temperature sensor.

- Procedure to call up the connection setting parameter (Sensor Connection)

AI1 block: Sensor Connection

Select and set any of the 2-, 3-, or 4-wire methods corresponding to the resistance temperature sensor.

AI2 block: Sensor Connection

Select and set either 2- or 3-wire methods corresponding to the resistance temperature sensor.



NOTE

In 4-wire connection, first set "Not Used" to AI2: Lin Type, then set the AI1: Lin Type/Sensor Connection.

3) Setting the Cold Junction Compensation (CJC) of the Thermocouple Sensor

This is set when using the thermocouple sensor.

- Procedure to call up CJC function parameter (Selection of Reference Junction)

AI1/AI2 block: Selection of Reference Junction

Select the CJC function.

To calibrate voltage for the thermocouple input, set the cold junction temperature to No Reference (0).

- Procedure to call up external temperature Compensation parameter (External Reference Junction Value)

AI1/AI2 block: External Reference Junction Value

In the CJC function parameter (Selection of Reference Junction), the cold junction temperature value of the thermocouple is selected the external (2), set the external compensation temperature.

The CJC is also called reference junction compensation.



IMPORTANT

Setting the sensor type automatically resets the zero-gain adjustment value to the factory setting.

7.3.10 Assignment to AI Object

Output of the process value via field wireless network is set by AI1/AI2 block.

Either actual target value or % value of the temperature, the voltage, and resistance is set as the output of process value from the AI1/AI2 block.

7.3.11 Burnout Setting

Specify the direction of PV value at the burnout.

- AI1/AI2 block: Burn Out Type

Enable Hard Switch: the direction specified by hardware switch

Up: Higher side

Down: Lower side

Selecting Up and Down disables the setting of hardware switch

7.3.12 Write Protect

Hardware write protection and software write protection functions are available for this transmitter.

1) Procedure to call up the protection setting parameter (UAP Option)

The following settings can be configured in the UAP Option parameter.

- Setting to enable or disable software write protection.
- Setting to enable or disable the hardware write protection switch.

- Setting to enable or disable changing the setting to the Diagnostic Switch and Diagnostic Configuration parameters.

2) Procedure to call up the protection setting display parameter (Hardware Write Protect)

UAPMO block : Hardware Write Protect

The Hardware Write Protect parameter enables the switch status of hardware write protection to be displayed.

For the relationship between hardware write protection and software write protection, refer to section 9. "Parameter Summary".

7.3.13 Input Calibration

The input calibration function is used to adjust to the transmitters internal interpretation of the input signal. Perform the calibration procedure for Sensor1 and Sensor2 separately.

Two points, namely, the lower adjustment point called Zero point and the upper adjustment point called Gain, are adjusted, respectively. There are two adjustment methods. One method uses a reference signal generator (e.g. a voltage generator or variable resistor) and the other uses the signal from a temperature sensor immersed in the solution with a known temperature.

Input adjustment is performed by inputting (writing) the signals (voltage, and resistance values) currently being input as the parameters. This instrument automatically corrects the error between the written data and the internally calculated value. Follow the procedure below for Sensor1 (AI1) for example.

1) Setting the Input Adjustment Value

a) Setting the AI1 block write mode

- AI1 block : Mode : Target

Set the Target parameter to O/S.

b) Setting the update period

- CO block: Data publication period

Set the data publication period parameter to 1 second. The computation period in the transmitter will also be synchronized to the update period and set to 1 second.

c) Setting the sensor type

- AI1 block: Lin Type

Set the sensor type used in the Lin Type parameter.

d) Setting the cold junction compensation

- AI1 block: Selection of Reference Junction

Set the Selection of Reference Junction parameter to No Reference (0) in order to remove the effect of the cold junction compensation when using the thermocouple for the sensor type.

e) Perform Zero Point Adjustment using a reference input generator. The input value is adjusted near the zero point within the measurement range used.

f) Set the Zero Point Adjustment value when the input is stabilized.

- AI1 block: Cal Point Lo

Set the Cal Point Lo parameter to the voltage value (unit: mV) when the temperature sensor is the thermocouple, and set the resistance value (unit: Ω) when the temperature sensor is the resistance temperature sensor.

g) Perform gain-point adjustment using a reference input generator. The input value is adjusted near the gain point within the measurement range used.

h) Set the gain-point adjustment value when the input is stabilized.

- AI1 block: Cal Point Hi

Set the Cal Point Hi parameter to the voltage value (unit: mV) when the temperature sensor is the thermocouple, and set the resistance value (unit: Ω) when the temperature sensor is the resistance temperature sensor.

i) Setting the AI1 block write mode

- AI1 block : Mode : Target

Set the Target parameter to Auto and ensure that the setting error of the adjustment value has not occurred.

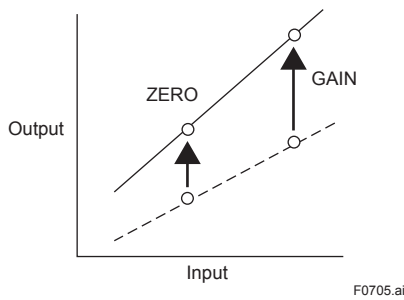


Figure 7.3 Trim function images



IMPORTANT

Setting the sensor type automatically resets the zero-gain adjustment value to the factory setting.

2) **Clearing the Adjustment Value**

The adjustment value set with input adjustment can be cleared and reset to the factory setting.

- Procedure to call up the adjustment value reset parameter (Cal Point Clear)

AI1/AI2 block: Cal Point Clear

Set the Cal Point Clear parameter to Clear.

7.3.14 Switching to the Deep Sleep Mode

When the instrument will not be used for a long time, switch the instrument to the deep sleep mode to conserve battery power. To switch to deep sleep mode, follow the procedure below.

- Procedure to call up the switch-to-deep-sleep parameter (Special Cmd)

TRANSDUCER block: Special Cmd

Set deep sleep mode (Standby) to the Special Cmd parameter for the TRANSDUCER block. To start from deep sleep mode, remove and insert the battery pack. In case of the external powered type, turn off the power and on again.



CAUTION

After setting the deep sleep mode by infrared device configuration tool, keep the infrared port of device away from any other infrared signals.



NOTE

- This procedure to switch to deep sleep mode can only be use for wireless communication.
- Transmitter becomes the stop state after setting deep sleep mode and cannot reply any request from Communication Tool.
- For this reason, there is the case that an error is display on Communication Tool.
- To wake up from deep sleep mode, please pull battery pack and wait more than 30 seconds before attaching battery pack. In case of the external powered type, wait more than 30 seconds before turning on the power.

7.3.15 Switching to the Silence Mode

This is a function to pause the instrument when it cannot join the field wireless network after a specified time has elapsed. This function is effective in conserving battery power when, for example, the installation of the field wireless integrated gateway is delayed compared to that of field wireless devices. The default value is 28800 seconds (about 8 hours). Thereafter, a cycle of a one-hour pause and six-minute search is repeated until the instrument can join the field wireless network.

- Procedure to call up the switch-to-silence parameter (Radio Silence)

UAPMO block: Radio Silence

Set 0 to 2³¹ seconds for the Radio Silence parameter of the UAPMO block. If 0 is set, the Radio Silence parameter is invalid. To start from the silence mode, either remove and insert the battery pack, or use the configuration tool.

7.4 Self-Diagnostics

7.4.1 Identify Problems by Using the Communicator

The configuration tool allows checking the self-diagnosis results and setting errors of this instrument.

First, check Diagnostic Status of the self-diagnostic result.

- Procedure to call up the self-diagnostic parameter

UAPMO block: Diagnostic Status

Any of the four categories (Check function, Maintenance required, Failure, and Off specification) according to NAMUR NE107* is supplied to Diagnostic Status of each diagnostic result.

Table 7.2 Diagnostic Status

Bits	Contents	Example NAMUR NE107 Categorization(*)
Bit31(MSB)	F: Failure status	---
Bit30	C: Function check status	---
Bit29	O: Out of specification status	---
Bit28	M: Maintenance required status	---
Bit27	Faults in electronics	F
Bit26	Faults in sensor or actuator element	F
Bit25	Installation, calibration problem	C
Bit24	Out of service	C
Bit23	Outside sensor limits	O
Bit22	Environmental conditions out of device specification	O
Bit21	Fault prediction: Maintenance required	M
Bit20	Power is critical low: maintenance need short-term	M
Bit19	Power is low: maintenance need mid-term	M
Bit18	Software update incomplete	C
Bit17	Simulation is active	C
Bit16	Faults due to process influence	F
Bit15	Faults due to non-compliance with specified operating conditions	F
Bit14	Other faults	F
Bit13-Bit08	reserved by WCI	---
Bit07-Bit01	vendor specific area	---
Bit00	Detail information available	
	1: available	---
	0: no available"	

*: NAMUR NE107 "Self-Monitoring and Diagnosis of Field Devices"

Checking the Diagnostic Status category allows taking the proper action. The Diagnostic Status contents are common for all ISA devices, and the setting for the Diagnostic Status category can be changed. For further details, refer to Diagnostic Status Detail.

In Diagnostic Status Contents that can be diagnosed by the YTA, the alert category set in Out of Service can be changed to Check function. To do so, follow one of the two procedures below.

- a) UAPMO block: UAP Option select "enable".
- b) UAPMO block: Diagnostic Configuration change Out of Service from "Failure" to Check function.
- c) UAPMO block: UAP Option select "disable".

The contents of diagnostic status are defined either valid or invalid at Diagnostic Switch parameter. Follow the example below to change "Out of Service" to invalid.

- a) UAPMO block: UAP Option select "enable".
- b) UAPMO block: Diagnostic Switch turn "Off" for Out of Service.
- c) UAPMO block: UAP Option select "disable".

Note: Be careful when changing the alert category and turning detection on and off as described above. Be sure to set UAP Option to disable again to prevent setting errors.

- * NAMUR NE107 "Self-Monitoring and Diagnosis of Field Devices"
In Diagnostic Configuration setting, select one from the followings; F: Failure status, C: Function check status, O: Out of specification status, or M: Maintenance required status.

7.4.2 Alert Report

YTA generates alert information related to Diagnostic Status and automatically sends to a field wireless gateway. To use this function, the following alert setting is necessary. When "Out of Service" for Diagnostic Status alert is required, choose "FALSE" for [Out of Service.Alert Disable] in the UAPMO block. Refer to the field wireless gateway User's Manual for the setting procedure to obtain the alert information from the gateway.

The alert report consists of the list of parameter names as shown Table 7.3.

Table 7.3 Contents of Alert Report

Parameter name	Description
DetectObjectTLPort	Alert detection port UAP (0xF0B2) fixed
DetectObject	Alert detection block UAPMO (1) fixed
DetectTime	Time stamp
AlertDirection	1: generated, 0: clear
AlertPriority	Alert priorities set by users
AlertType	Alert types, see 8.4 Self-Diagnostics
AlertValue	NAMUR107 category 0:Failure, 1:checkFunction, 2:OffSpec, 3:MaintenaceRequired



CAUTION

For a wireless gateway which does not support the alert report function, the alert setting in UAPMO block for the transmitter must be set to "Disable." Note that YFGW710 field wireless integrated gateway does not have the alert report function.

Table 7.4 Diagnostic Results Summary

Diagnostic Status Contents	Alert Type	NAMUR NE107 Categor	Diagnostic Status Detail	Description
Faults in electronics	78	F	AMP ERR	Amplifier failure
			MEMORY ERR	Memory failure
			FlashROM ERR	FlashROM failure
			ADC ERR	ADC failure
Faults in sensor or actuator element	77	F	SENSOR1 FAILURE	Sensor 1 burnout
			SENSOR2 FAILURE **	Sensor 2 burnout
			TERM SNS FAILURE	CJC sensor burnout
Installation, calibration problem	76	C	SENSOR1 SPAN ADJ ERR	Sensor 1 faulty input of span adjustment value
			SENSOR1 ZERO ADJ ERR	Sensor 1 faulty input of zero adjustment value
			SENSOR2 SPAN ADJ ERR **	Sensor 2 faulty input of span adjustment value
			SENSOR2 ZERO ADJ ERR **	Sensor 2 faulty input of zero adjustment value
Out of service	75	C	AI1 O/S MODE	AI1 O/S Mode
			AI2 O/S MODE **	AI2 O/S Mode
Outside sensor limits	74	O	---	---
Environmental conditions out of device specification	73	O	SENSOR1 TEMP HI	Sensor 1 temperature higher limit scale out
			SENSOR1 TEMP LO	Sensor 1 temperature lower limit scale out
			SENSOR2 TEMP HI **	Sensor 2 temperature higher limit scale out
			SENSOR2 TEMP LO **	Sensor 2 temperature lower limit scale out
			AMB TEMP HI	Ambient temperature higher limit scale out
			AMB TEMP LO	Ambient temperature lower limit scale out
Fault prediction: Maintenance required	72	M	FIRMWARE CONDITION CHECK	Firmware internal error
Power is critical low: maintenance need short-term	71	M	CRITICAL LOWBAT	Detection of an extreme decrease in the battery voltage
Power is low: maintenance need mid-term	70	M	LOWBAT	Detection of a decrease in the battery voltage
Software update incomplete	118	C	---	---
Simulation is active	68	C	AI1 SIMULATE MODE	AI1 SIMULATE Mode
			AI2 SIMULATE MODE **	AI2 SIMULATE Mode

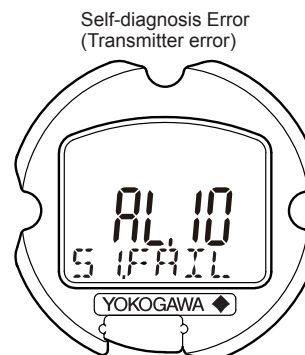
** : Applicable for dual sensor input.

7.4.3 Checking with Integral Indicator



NOTE

If an error is detected by running self-diagnostics, an error number is displayed on the integral indicator. If there is more than one error, the error number changes at three-second intervals. See table 8.4 regarding the alarm codes.



F0706.ai

Figure 7.4 Error Check with Integral Indicator

8. Maintenance

8.1 General

Maintenance of the transmitter is easy due to its modular construction. This chapter describes the procedures for calibration, adjustment, and the disassembly and reassembly procedures required for component replacement.

Transmitters are precision instruments. Please carefully and thoroughly read the following sections for information on how to properly handle them while performing maintenance.



IMPORTANT

- As a rule, maintenance of this transmitter should be done in a shop that has all the necessary tools.
- The CPU assembly, RF assembly and LCD board assembly contain sensitive parts that can be damaged by static electricity. Take precautions such as using a grounded wrist strap when handling electronic parts or touching the board circuit patterns. Also be sure to place the removed CPU assembly, RF assembly or and LCD board assembly into a bag with an antistatic coating.

8.2 Calibration Instruments Selection

Table 8.1 lists the instruments that can be used to calibrate a transmitter. When selecting an instrument, consider the required accuracy level. Exercise care when handling these instruments to ensure they maintain the specified accuracy

8.3 Calibration Procedure

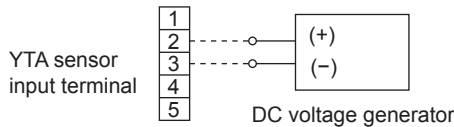
Use the procedure below to check instrument operation and accuracy during periodic maintenance or troubleshooting.

- 1) Insert the battery pack or turn on the power, and then perform provisioning to have the transmitter join the Field Wireless Network or preparing the infrared communication for calibration.
- 2) Set the update period to 1 second using the field wireless configuration tool to set continuous for the transmitter.
- 3) Connect the devices as shown in Figure 8.1 and allow the transmitter to warm up for at least 5 minutes.

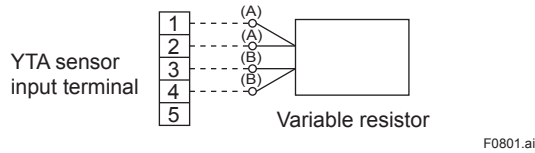
Table 8.1 Instruments Required for Calibration

Name	Yokogawa-recommended Instrument	Remarks
Provisioning device tool	<ul style="list-style-type: none"> • FieldMate (R2.02.01 or later) • Provisioning Device Tool • Infrared Adapter certified by Yokogawa Supplier: ACTISYS Product name: IrDA InfraRed USB Adaptor Product number: IR224UN 	
Field wireless configuration tool	<ul style="list-style-type: none"> • Field Wireless Integrated Gateway attached Software Field Wireless Configurator Field Wireless Management Tool • Field Wireless System related Product Plant Resource Manager (PRM) (R3.05 or later) • Device Configuration Tool via ISA100.11a Wireless Communication FieldMate (R2.02.01 or later) DeviceFile (R3.01.01 or later) • Device Configuration Tool via Infrared Communication FieldMate (R2.03.00 or later) DeviceFile (R3.02.01 or later) 	
Universal calibrator	<ul style="list-style-type: none"> • Model 9100 type 	For calibration of DC voltage or thermocouple input)
Variable resistor	<ul style="list-style-type: none"> • 279301 type 6-dial variable resistor (accuracy: ±0.005%) 	For calibration of resistance thermometer (RTD) input

Example of wiring for thermocouple or DC voltage input



Example of wiring for RTD 4-wire type



F0801.ai

Figure 8.1 Example of wiring for calibration equipment

- 4) Calibration Procedure
 - a) For DC voltage input

With a voltage generator, deliver input signals corresponding to 0, 25, 75, or 100% of the input span to the temperature transmitter.
 - b) For thermocouple input

Since this instrument is equipped with a cold junction compensating function, use a cold junction compensating function in universal calibrator in order to compensate for this function upon calibration. According to the reference millivolt table for thermocouple, obtain millivolt corresponding to 0, 25, 50, 75, or 100% of the span, and use that power as the input value, then deliver it from the universal calibrator to the temperature transmitter. Check the output value for that input value.
 - c) For resistance thermometer (RTD) input

Using a thermometer resistor as input, calibration of the temperature transmitter is carried out via a 4-core wire connection. As defined in the reference resistor value table of the resistance thermometer (RTD), obtain resistance values corresponding to 0, 25, 50, 75 or 100% of the span, and use the obtained resistance as the input value, then deliver it to the temperature transmitter by means of a variable resistor. Check the output value for that input value.

Apply a specified input signal following steps a) to c) above. If the output signal is outside the accuracy range, perform output adjustment using the device configuration tool. For details on how to perform adjustment, refer to subsection 7.3.13 Input calibration.

8.4 Disassembly and Assembly



CAUTION

Precautions for the intrinsic safety explosion prevention type instrument

Intrinsic safe type transmitters must be, as a rule, removed to a non-hazardous area for maintenance and be disassembled and reassembled to the original state. Check the insulation, and execute Insulation Test, when it is disassembled and reassembled to the original state.

Refer to section 2.7 "Insulation Resistance and Dielectric Strength Test" for details of Resistance Test.

Refer to "Precautions for the intrinsic safety explosion prevention type instrument" in the end of this manual of details.



IMPORTANT

- Perform the provisioning when replacing the RF assembly. Refer to 6.4 Connecting to the Field Wireless Network for details.
- Replace the batteries and perform the parameter settings when replacing the CPU assembly. Turn on the power and perform the parameter settings again when replacing the CPU assembly of the external powered type. Refer to 8.4.5 Replacing the Batteries or 8.4.7 Replacing the Power Supply Module.

This section describes procedures for disassembly and reassembly for maintenance and component replacement.

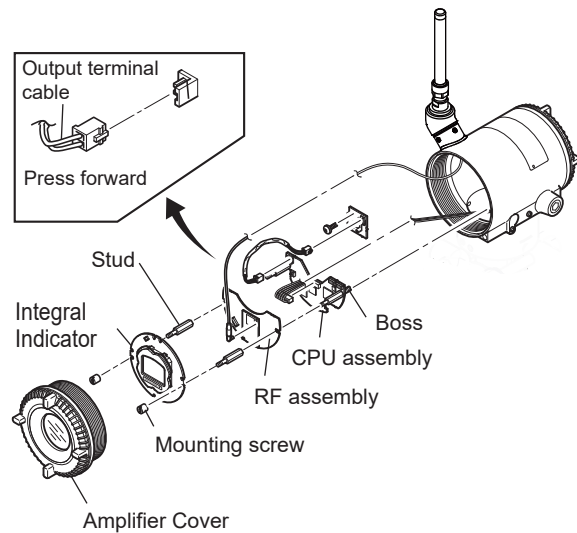


CAUTION

Always remove the battery pack and shut off before disassembly. In case of the external powered type, turn off the power. Use proper tools for all operations.

Table 8.2 Tools for Disassembly and Reassembly

Tool	Quantity	Remarks
Phillips screwdriver	1	JIS B4633, No. 2
Slotted screwdriver	1	
Allen wrenches	3	JIS B4648 One each, nominal 3, 4 and 2.5 mm Allen wrenches
Wrench	1	Width across flats, 17 mm
Torque wrench	1	
Adjustable wrench	1	
Socket wrench	1	Width across flats, 16 mm
Socket driver	1	Width across flats, 5.5 mm
Tweezers	1	



F0802.ai

Figure 8.2 Removing and Attaching integral Indicator and CPU Assembly

8.4.1 Replacing the Integral Indicator

This subsection describes the procedure for replacing an integral indicator. (See figure 8.2)

■ Removing the Integral Indicator

- 1) Remove the cover.
- 2) While supporting the integral indicator with one hand, loosen its two mounting screws.
- 3) Dismount the LCD board assembly from the RF assembly.

When doing this, carefully pull the LCD board assembly straight forward so as not to damage the connector pins between it and the RF assembly.

■ Attaching the Integral Indicator

- 1) Align both the LCD board assembly and RF assembly connectors and engage them.
- 2) Insert and tighten the two mounting screws.
- 3) Replace the cover.

8.4.2 Replacing the RF Assembly

This subsection describes how to replace the RF assembly (see Figure 8.2).

■ Removing the RF assembly

- 1) Remove the cover.
- 2) Remove the Integral indicator (refer to subsection 8.4.1).
- 3) Remove the two stud bolts by using a socket driver (width across flats: 5.5 mm)
- 4) Disconnect the RF assembly from the CPU assembly. When doing this, carefully pull the RF assembly straight forward so as not to damage the connector pins between it and the CPU assembly.
- 5) Disconnect the antenna cable that connects the CPU assembly and the antenna.



NOTE

Be careful not to apply excessive force to the RF assembly and the connector of the antenna cable when removing it.

■ Mounting the RF assembly

- 1) Connect the antenna cable between the RF assembly and the antenna.
- 2) Align both the RF assembly and CPU assembly connectors and engage them.
- 3) Tighten the two stud bolts.
- 4) Mount the Integral indicator (refer to subsection 8.4.1).
- 5) Replace the cover.

8.4.3 Replacing the CPU Assembly

This subsection describes how to replace the CPU assembly (see Figure 8.2).

■ Removing the CPU assembly

- 1) Remove the cover.
Remove the Integral indicator and the RF assembly (refer to subsections 8.4.1 and 8.4.2).
- 2) Disconnect the power cable. When doing this, lightly press the side of the CPU assembly connector and pull the cable connector to disengage (see the upper left of Figure 8.2).
- 3) Use a socket driver (width across flats, 5.5 mm) to loosen the two bosses.
- 4) Carefully pull the CPU assembly straight forward to remove it.
- 5) Disconnect the flat cable (cable with white connector at the end) that connects the CPU assembly and the printed circuit assembly (fixed) in bottom of the amplifier case.



NOTE

Be careful not to apply excessive force to the CPU assembly when removing it.

■ Mounting the CPU assembly

- 1) Connect the flat cable (with white connector) between the CPU assembly and the printed circuit assembly (fixed) in bottom of the amplifier case.
- 2) Connect the power cable to the CPU assembly.



NOTE

Insert the cable in the connector firmly. Make certain that the cables do not get pinched between the case and the edge of the CPU assembly.

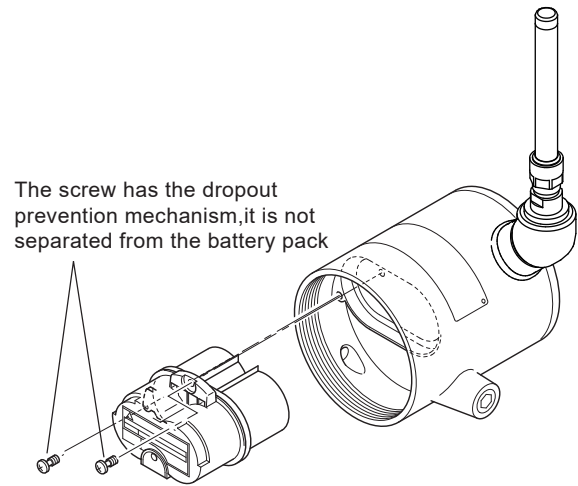
- 3) Insert the CPU assembly straight onto the post in the amplifier case.
- 4) Tighten the two bosses. Mount the RF assembly, and the Integral indicator (refer to subsections 8.4.1 and 8.4.2).
- 5) Replace the cover.

8.4.4 Replacing the Battery Pack

Regarding the transmitter with intrinsically safe approval, the battery pack can be replaced without removing the device in hazardous area.

■ Removing

- 1) Remove the terminal box cover.
- 2) Loosen the two battery pack mounting screws (see Figure 8.3).
- 3) Pull the battery pack.



F0803.ai

Figure 8.3 Removing the Battery Pack

■ Remounting

- 1) Insert the new battery pack lightly.
- 2) Push the center of the battery pack and insert it securely.
- 3) Tighten the two battery pack mounting screws to a torque of approximately 0.7 N•m.
- 4) Replace the terminal box cover.



CAUTION

Do not attach the power supply module to the battery powered type.

8.4.5 Replacing the Batteries

The batteries in the battery pack can be replaced. Batteries are not installed when shipped from the factory. Assemble the battery pack as follows.

WARNING

Be sure to replace the batteries or disassemble and assemble the battery pack in a non-hazardous area. Doing so in an hazardous area could cause an explosion.

CAUTION

When replacing the batteries, be sure to replace the two batteries at the same time and do not use an old and a new battery together..

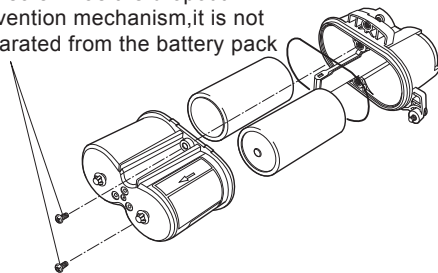
■ **Disassembling**

- 1) Loosen the two battery case mounting screws.
- 2) Separate the battery case into two parts.
- 3) Remove the old batteries.

■ **Assembling**

- 1) Insert new batteries into the battery case.
- 2) Attach the two parts of the battery case to each other.
- 3) Tighten the two battery case mounting screws to a torque of approximately 0.7 N•m.

The screw has the dropout prevention mechanism, it is not separated from the battery pack



F0804.ai

Figure 8.4 Disassembling the Battery Pack

8.4.6 Handling Batteries

This battery pack uses two primary lithium/thionyl chloride batteries. Each battery contains approximately 5 grams of lithium, for a total of 10 grams in each pack. Under normal conditions, the battery materials are self-contained and are not reactive as long as the batteries and the pack integrity are maintained. Care should be taken to prevent thermal, electrical or mechanical damage. Protect the electrode of the battery pack to avoid rapid electrical discharge. Discharged a battery may lead to fluid leakage and excessive heat. Batteries should be stored in a clean and dry area. For maximum battery life, storage temperature should not exceed 30°C.

WARNING

Handling the battery pack

The following precautions must be observed in order to safely and effectively use a battery pack. Improper use may lead to fluid leakage, excessive heat, ignition, or explosion.

- Never charge it.
- Do not short-circuit it.
- Do not disassemble, transform, or modify it.
- Do not heat it or throw it into a fire.
- Do not soak it in fresh water or seawater.

CAUTION

Observe the following precautions for the safe disposal of batteries.

- Do not incinerate the battery, and do not expose it to a high temperature of 100°C or more. This may lead to fluid leakage or explosion.
- Dispose of the battery according to laws and regulations.

Use the following dedicated parts for the battery pack and batteries.

- Battery pack
 - Part number: F9915NQ (with batteries)
 - Part number: F9915NK (without batteries)
- Batteries
 - Part number: F9915NR
 - Alternatively, Tadiran TL-5930/S batteries may be purchased and used.

Transportation of products containing lithium batteries

Batteries used for this transmitter contain lithium. Primary lithium batteries are regulated in transportation by the U.S. Department of Transportation, and are also covered by the International Air Transport Association (IATA), the International Civil Aviation Organization (ICAO), and the European Ground Transportation of Dangerous Goods (ARD). It is the responsibility of the shipper to ensure compliance with these or any other local requirements. Consult current regulations and requirements before shipping. When transporting this transmitter with the battery pack inserted, keep it in deep sleep mode in order to conserve battery power. For details on how to switch to deep sleep mode, refer to subsection 7.3.12 "Switching to Deep Sleep Mode."

Procedure to replace and dispose of the batteries of the product

This is an explanation about the new EU Battery Directive(DIRECTIVE 2006/66/EC). This directive is only valid in the EU. Batteries are used for this product. When you remove batteries from this product and dispose them, discard them in accordance with domestic law concerning disposal. Take a right action on waste batteries, because the collection system in the EU on waste batteries are regulated.

Battery type: Primary lithium-thionyl chloride battery

Crossed-out dustbin symbol



NOTE

The symbol (see above), which is marked on the batteries, means they shall be sorted out and collected as ordained in ANNEXII in DIRECTIVE 2006/66/EC

8.4.7 Replacing the Power Supply Module

■ **Removing**

- 1) Turn off the power for the external powered type.
- 2) Remove the terminal box cover.
- 3) Loosen the two power supply module mounting screws (see Figure 8.3).
- 4) Pull out the power supply module.

■ **Remounting**

- 1) Insert the new power supply module lightly.
- 2) Push the center of the power supply module and insert it securely.
- 3) Tighten the two power supply module mounting screws to a torque of approximately 0.7 N·m.
- 4) Replace the terminal box cover.



CAUTION

Do not attach the battery pack to the external powered type.

Procedure to remove the batteries safely

Refer to subsection 8.4.4 "Replacing the Battery Pack" and subsection 8.4.5 "Replacing the Batteries."

8.5 Troubleshooting

If any abnormality appears in the measured values, use the troubleshooting flow chart below to isolate and remedy the problem. Since some problems have complex causes, these flow charts may not identify all. If you have difficulty isolating or correcting a problem, contact Yokogawa service personnel.

8.5.1 Basic Troubleshooting Flow

First determine whether the process variable is actually abnormal or a problem exists in the measurement system.

If the problem is in the measurement system, isolate the problem and decide what corrective action to take.

This transmitter is equipped with a self-diagnostic function which will be useful in troubleshooting, and the transmitter equipped with an integral indicator will show an alarm code as a result of self-diagnosis.

See subsection 8.5.3 for the list of alarms.

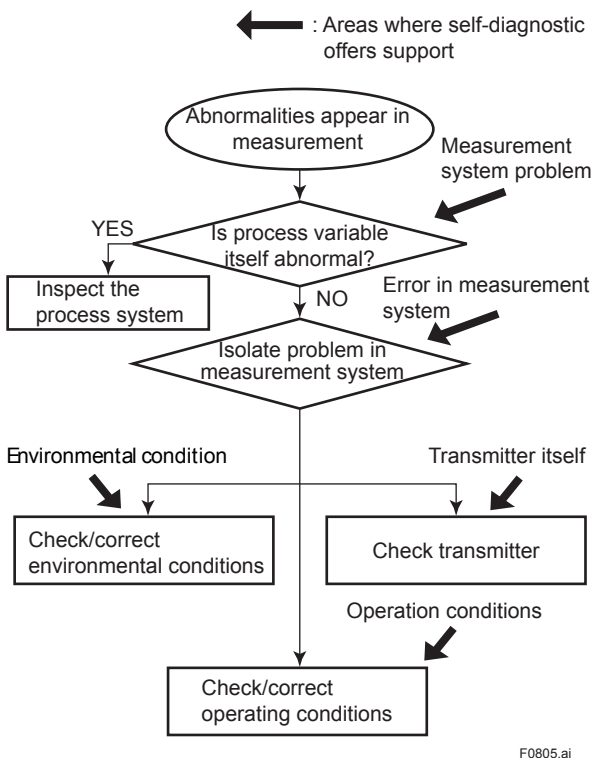


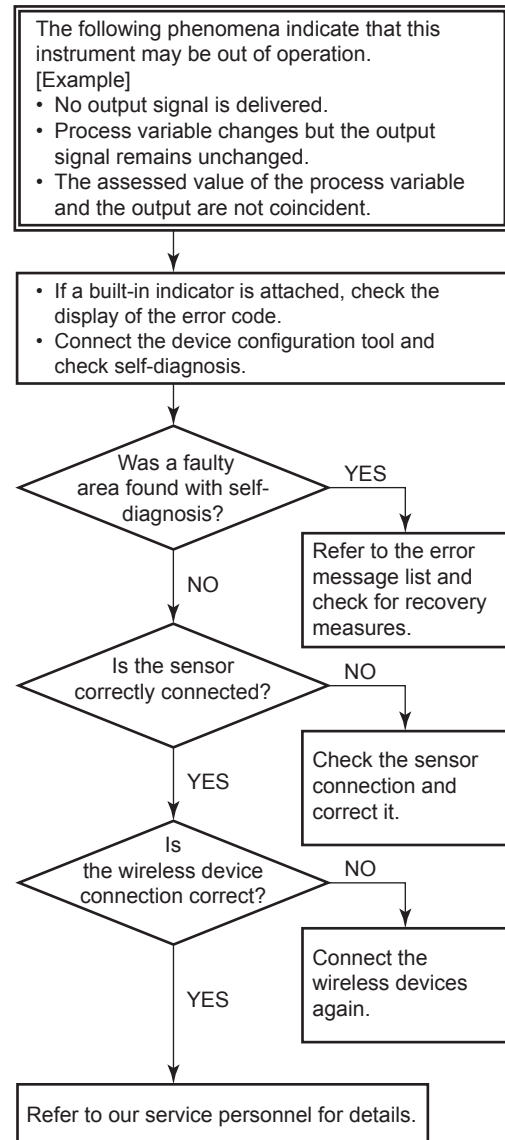
Figure 8.5 Basic Troubleshooting Flow

F0805.ai

8.5.2 Example of Troubleshooting Flow

The following shows an example of the flow for troubleshooting.

Refer to this example and Table 8.3 “Problems, Causes and Countermeasures” and locate the problem and take the corresponding countermeasure.



F0806.ai

Figure 8.6 Example of Troubleshooting Flow

Table 8.3 Cause and Countermeasure

Observed Problems	Possible Cause	Countermeasure	Related Parameter
Output fluctuates greatly.	Input adjustment by user was not correctly done.	Set or clear the user adjustment value.	<ul style="list-style-type: none"> • Lin Type • Sensor Range
	Damping adjustment is not correct.	Set the damping adjustment to 0.	<ul style="list-style-type: none"> • Process Value Filter Time
Transmitter outputs fixed current.	Input adjustment by user was not correctly done.	Set or clear the user adjustment value.	<ul style="list-style-type: none"> • Lin Type • Sensor Range
	The simulation function is set to ON.	Set the simulation function to OFF.	<ul style="list-style-type: none"> • Simulate Switch
Output is reversed.	The lower limit value is greater than the upper limit value.	Set the correct value to the upper limit value and the lower limit value.	<ul style="list-style-type: none"> • Lin Type • Sensor Range • Cal Point Lo • Cal Point Hi
Parameters cannot be changed.	The transmitter is in write protect status.	Release write protect.	<ul style="list-style-type: none"> • UAP Option • Hardware Write Protect

8.5.3 Errors and Countermeasures

Table 8.4 Error Message Summary

Integral indicator	Factory NAMUR category	Bit	Diagnostic Status	Diagnostic Status Detail	Cause	Release/recovery conditions (except restart)	Output Operation	Action
AL.02 AMP. ERR ^{*2}	F	Bit 27	Faults in electronics	AMP ERR	Amplifier temperature sensor error	None	The output is fixed to ±99999°C. The sign is dependent on the burnout switch at the LCD board or Burn Out Type parameter ^{*4} .	Replace the amplifier.
				MEMORY ERROR	Amplifier memory failure	None	Same as above	Replace the amplifier.
				ADC ERROR	Amplifier AD converter failure	None	Same as above	Replace the amplifier.
AL.03 FUP. ERR ^{*2}				Firm Update ERR	Firmware update write error	None	----	Replace the amplifier.
AL.10 S1.FAIL ^{*2}	F	Bit 26	Faults in sensor or actuator element	SENSOR 1 FAILURE	Sensor 1 burnout	None	The output is fixed to ±99999°C. The sign is dependent on the burnout switch at the LCD board or Burn Out Type parameter.	Replace the sensor 1.
SENSOR 2 FAILURE				Sensor 2 burnout	Replace the sensor 2			
AL.12 RJ.FAIL ^{*2}							TERM SNS FAILURE	CJC sensor burnout

Integral indicator	Factory NAMUR category	Bit	Diagnostic Status	Diagnostic Status Detail	Cause	Release/recovery conditions (except restart)	Output Operation	Action
AL.20 LOWBAT *3	M	Bit 19	Power is low: maintenance need mid-term	LOWBAT	Low remaining battery voltage	None	Normal action	Replace the batteries.
		Bit 20	Power is critical low: maintenance need short-term	CRITICAL LOWBAT	Low remaining battery voltage	None	Normal action	Replace the batteries.
AL.23 FIRM.C	M	Bit 21	Fault prediction: Maintenance required	FIRMWARE CONDITION CHECK	Firmware internal error	None	Normal action	Restart.
AL.40 S1.OVR	O	Bit 22	Environmental conditions out of device specification	SENSOR1 TEMP HI	The temperature of sensor 1 is higher than the temperature specified in the Sensor Range parameter.	Recovers when the temperature falls within the range.	Normal action	Check the sensor type setting and connection method.
SENSOR1 TEMP LO				The temperature of sensor 1 is lower than the temperature specified in the Sensor Range parameter.	Recovers when the temperature rises within the range.	Normal action	Check the sensor type setting and connection method.	
SENSOR2 TEMP HI				The temperature of sensor 2 is higher than the temperature specified in the Sensor Range parameter.	Recovers when the temperature falls within the range.	Normal action	Check the sensor type setting and connection method.	
SENSOR2 TEMP LO				The temperature of sensor 2 is lower than the temperature specified in the Sensor Range parameter.	Recovers when the temperature falls within the range.	Normal action	Check the sensor type setting and connection method.	
AL.41 S2.OVR *4	O	Bit 22	Environmental conditions out of device specification	AMB TEMP HI	The ambient temperature is higher than +85°C.	Recovers when the temperature falls below +85°C.	Normal action	Check the temperature in the vicinity of the transmitter.
AMB TEMP LO				The ambient temperature is lower than -40°C.	Recovers when the temperature rises above -40°C.	Normal action	Check the temperature in the vicinity of the transmitter.	

Integral indicator	Factory NAMUR category	Bit	Diagnostic Status	Diagnostic Status Detail	Cause	Release/recovery conditions (except restart)	Output Operation	Action
AL.50 S1.SPAN	C	Bit 25	Faults in sensor or actuator element	SENSOR1 SPAN ADJ ERR	Sensor 1 input adjustment range error	Recovers when the input is within the range.	Normal action	Check the input adjustment setting.
AL.51 S1.ZERO				SENSOR1 ZERO ADJ ERR	Sensor 1 input adjustment value error	Recovers when the input value is a normal value.	Normal action	Check the input adjustment setting.
AL.52 S2.SPAN ^{*4}				SENSOR2 SPAN ADJ ERR	Sensor 2 input adjustment range error	Recovers when the input is within the range.	Normal action	Check the input adjustment setting.
AL.53 S2.ZERO ^{*4}				SENSOR2 ZERO ADJ ERR	Sensor 2 input adjustment value error	Recovers when the input value is a normal value.	Normal action	Check the input adjustment setting.
AL.60 AI1.OS		Bit 24	Out of service	AI1 O/S MODE	AI1 block is O/S mode.	Recovers when the mode target of AI1 block is other than O/S.	Hold	Check the AI1 block setting.
AL.61 AI2.OS ^{*4}				AI2 O/S MODE	AI2 block is O/S mode.	Recovers when the mode target of AI1 block is other than O/S.	Hold	Check the AI2 block setting.
AL.64 AI1.SIM		Bit 17	Simulation is active	AI1 SIMULATE MODE	Simulate Switch of the AI1 block is enabled	Recovers when the Simulate Switch of AI1 block is set to DISABLE.	Normal action	Check the AI1 block setting.
AL.65 AI2.SIM ^{*4}				AI2 SIMULATE MODE	Simulate Switch of the AI2 block is enabled	Recovers when the Simulate Switch of AI2 block is set to DISABLE.	Normal action	Check the AI2 block setting.

1: "Factory NAMUR category" refers to the four categories (C: Check function, M: Maintenance required, F: Failure, and O: Off specification) according to NAMUR NE107.

* NAMUR NE107 "Self-Monitoring and Diagnosis of Field Devices"

*2: When the device detects "AL02 AMP.ERR," "AL03 FUP.ERR," "AL10 S1.FAIL," "AL11 S2.FAIL," and "AL12 RJ.FAIL", the LCD display stays on regardless of the status in LCD mode.

*3: When the ambient temperature is higher than 60°C, AL.70 may be generated despite the indication of Energy Left shows sufficiently remained. However, it does not affect the device operation. This is caused by the change of battery inner status with extremely low power consumption under high temperature environment. It is recommended to set the data updating period to 15 seconds or shorter.

*4: Applicable for dual sensor input.

9. Parameter Summary

Table 9.1 Parameter Summary

Object ID	Attribute ID	Label	Description	Default value	Handling																					
1. UAPMO block	1	Version Revision	Indicates the application revision of YTA. This revision changes when the application software is downloaded.	---	R																					
	10	Static Revision	Indicates the revision level of the fixed parameters of UAP. Used, for example, to check whether parameters have been changed.	0	R																					
	64	Identification Number	Indicates the vendor ID, model ID, and revision of the device.	---	R																					
	65	CTS Version	Indicates the version of the communication stack test system (CTS).	0	R																					
	66	ITS Version	Indicates the version of the interoperability test system (ITS).	0	R																					
	67	Diagnostic Status	Indicates the diagnostic results of the device based on the NAMUR NE107*1 model. Setting Enable diagnostic status configuration in UAP Option to Enable allows turning OFF and ON the display of the diagnostic results for each summary, and changing Categorize. For Categorize at the time of shipment, refer to tables 8.3 and 10.2.	---	R																					
	68	UAP Option	Allows setting the Diagnostic Status and write protection of UAP. Software write protect 1: On, 0: Off Enable hardware write protect 1: Enable, 0: Disable (default) Enable diagnostic status configuration 1: Enable, 0: Disable (default) The following table shows the relationship between the hardware write protection and software write protection.	0	W																					
				<table border="1"> <thead> <tr> <th>Enable hardware write protect</th> <th>Hardware write protect</th> <th>Software write protect</th> <th>Write protect</th> </tr> </thead> <tbody> <tr> <td>Disable</td> <td>Off or On</td> <td>Off</td> <td>No</td> </tr> <tr> <td>Disable</td> <td>Off or On</td> <td>On</td> <td>Protected</td> </tr> <tr> <td>Enable</td> <td>Off</td> <td>Off or On</td> <td>No</td> </tr> <tr> <td>Enable</td> <td>On</td> <td>Off or On</td> <td>Protected</td> </tr> </tbody> </table>	Enable hardware write protect	Hardware write protect	Software write protect	Write protect	Disable	Off or On	Off	No	Disable	Off or On	On	Protected	Enable	Off	Off or On	No	Enable	On	Off or On	Protected		
	Enable hardware write protect	Hardware write protect	Software write protect	Write protect																						
	Disable	Off or On	Off	No																						
	Disable	Off or On	On	Protected																						
Enable	Off	Off or On	No																							
Enable	On	Off or On	Protected																							
69	Diagnostic Switch	Allows setting On/Off for each summary of Diagnostic Status when Enable diagnostic status configuration in UAP Option is set to Enable.	On	W																						
70	Diagnostic Configuration	Allows Categorize for each summary of Diagnostic Status when Enable diagnostic status configuration in UAP Option is set to Enable.	Refer to Table 9.2.	W																						
102	Diagnostic Status Detail	Detailed information on Diagnostic Status. For Categorize at the time of shipment, refer to Table 9.2.	Refer to Table 9.2.	R																						
103	Energy Left	Indicates the number of days of remaining battery life assuming ambient temperature condition as 23 degrees Celsius. The unit is day.	---	R																						
104	Reset Energy Left	Resets the remaining battery power calculation to restore it to a remaining battery power calculation which is based on new batteries. 0 = Continue 1 = Reset	0 (reading value is always 0)	W																						
105	Power Supply Status	Indicates remaining battery life and power supply of device 0 – line powered 1 – battery powered, greater than 75% remaining capacity 2 – battery powered, between 25% and 75% remaining capacity 3 – battery powered, less than 25% remaining capacity	---	R																						

Note: TSAP ID is 2.

Object ID	Attribute ID	Label	Description	Default value	Handling
1. UAPMO (continued)	106	EH Type	Available to write note into this parameter.	---	W
	107	Power Supply Voltage	Indicates the measured power supply voltage (V).	---	R
	110	Hardware Write Protect	Allows recognizing the status of the hardware write protection switch. 0: Switch OFF 1: Switch ON	---	R
	111	Radio Silence	Repeats a cycle of a 1-hour pause and 6-minute search if the instrument cannot join the network after a time specified in Radio Silence has elapsed. When 0 is set, the Radio Silence is invalid.	28800	W
	112	Simulation Active Alert	The On/Off or priority for Simulation Active Alert can be set. 1. On/Off setting 0 = FALSE, 255 =TRUE 2. Alert report priority: 0 to 15	1. TRUE 2. 15	W
	113	Soft Update incomplete Alert	The On/Off or priority for Soft Update incomplete Alert can be set. 1. On/Off setting 0 = FALSE, 255 =TRUE 2. Alert report priority: 0 to 15 Not available for YTA.	1. TRUE 2. 15	W
	114	Power low Alert	The On/Off or priority for Power low Alert can be set. 1. On/Off setting 0 = FALSE, 255 =TRUE 2. Alert report priority: 0 to 15	1. TRUE 2. 15	W
	115	Power Critical low Alert	The On/Off or priority for Power Critical low Alert can be set. 1. On/Off setting 0 = FALSE, 255 =TRUE 2. Alert report priority: 0 to 15	1. TRUE 2. 15	W
	116	Fault prediction Alert	The On/Off or priority for Fault prediction Alert can be set. 1. On/Off setting 0 = FALSE, 255 =TRUE 2. Alert report priority: 0 to 15 Not available for YTA.	1. TRUE 2. 15	W
	117	Environmental conditions Alert	The On/Off or priority for Environmental conditions Alert can be set. 1. On/Off setting 0 = FALSE, 255 =TRUE 2. Alert report priority: 0 to 15	1. TRUE 2. 15	W
	118	Outside sensor limits Alert	The On/Off or priority for Outside sensor limits Alert can be set. 1. On/Off setting 0 = FALSE, 255 =TRUE 2. Alert report priority: 0 to 15	1. TRUE 2. 15	W
	119	Out of service Alert	The On/Off or priority for Out of service Alert can be set. 1. On/Off setting 0 = FALSE, 255 =TRUE 2. Alert report priority: 0 to 15	1. TRUE 2. 15	W
	120	Calibration problem Alert	The On/Off or priority for calibration problem Alert can be set. 1. On/Off setting 0 = FALSE, 255 =TRUE 2. Alert report priority: 0 to 15	1. TRUE 2. 15	W
	121	Faults Sensor or actuator Alert	The On/Off or priority for Faults Sensor or actuator Alert can be set. 1. On/Off setting 0 = FALSE, 255 =TRUE 2. Alert report priority: 0 to 15	1. TRUE 2. 15	W
122	Faults Electronics Alert	The On/Off or priority for Faults Electronics Alert can be set. 1. On/Off setting 0 = FALSE, 255 =TRUE 2. Alert report priority: 0 to 1	1. TRUE 2. 15	W	

Object ID	Attribute ID	Label	Description	Default value	Handling
1. UAPMO (continued)	123	Faults process influence Alert	The On/Off or priority for Faults process influence Alert can be set. 1. On/Off setting 0 = FALSE, 255 =TRUE 2. Alert report priority: 0 to 15 Not available for YTA.	1. TRUE 2. 15	W
	124	Faults non-compliance Alert	The On/Off or priority for Faults non-compliance Alert can be set. 1. On/Off setting 0 = FALSE, 255 =TRUE 2. Alert report priority: 0 to 15 Not available for YTA.	1. TRUE 2. 15	W
	125	Other faults Alert	The On/Off or priority for Other faults Alert can be set. 1. On/Off setting 0 = FALSE, 255 =TRUE 2. Alert report priority: 0 to 15 Not available for YTA.	1. TRUE 2. 15	W
2. UDO block	2	DESCRIPTION	Indicates the version and model information of the downloaded data.	---	R
	3	STATE	Indicates the present transition state.	---	R
	5	MAX_BLOCK_SIZE	Maximum block size. This value is smaller than the maximum data size of APDU.	---	R
	14	LAST_BLOCK_DOWNLOADED	Indicates the last downloaded block number. 0 means that no block has been downloaded.	---	R
	16	ERROR_CODE	Indicates the error codes for DLError. 0 = noError 1 = Timeout 2 = ClientAbout 64 = Apply failure	---	R
3. CO block	1	REVISION	Indicates the version level of COMM_ENDPOINT, etc.	---	R
	2	COMM_ENDPOINT	Indicates the Endpoint information. The following shows the components. 1. Network address of remote endpoint 2. Transport layer port at remote endpoint 3. Object ID at remote endpoint 4. Stale data limit 5. Data publication period 6. Ideal publication phase 7. PublishAutoRetransmit 8. Configuration status	---	W
	3	COMM_CONTRACT	Indicates the Contract information. The following shows the components. 1. ContractID 2. Contract_Status 3. Actual_Phase	---	R
	4	PUB_ITEM_MAX	Maximum PUB_ITEM value	---	R
	5	PUB_ITEM_NUM	PUB_ITEM number	---	R
	6	PUB_ITEM	Indicates the PUB_ITEM information. The following shows the components. 1. ObjectID 2. AttributeID 3. AttributeIndex 4. Size	---	W

Object ID	Attribute ID	Label	Description	Default value	Handling
4. TRANSDUCER block	1	Tag Description	Memo field available to write anything.	Transducer	W
	2	Model	Indicates the model name of the transmitter.	---	R
	3	Serial Number	Indicates the device number of the transmitter.	---	R
	4	Out Switch	Indicates the direction of the burnout switch on the integral indicator. (Burnout Low / Burnout High)	Burn out High	R
	5	Wireless Status	Indicates the wireless communication status 1.Indicates either the initial Idle status or Join status. (Idle status / Join status) 2.Indicates whether Contract (Pub) has been established. (Not established / Established) 3.Indicates whether Contract (R/W) has been established. (Not established / Established)	1. Idle status 2. Not established 3. Not established	R
	6	Display Selection	Selects the LCD display 1.Indicates the display status of the AI1/AI2 PV value. (Displayed / Not displayed)	Displayed	W
	7	LCD Mode	Selects the LCD mode. 1.Indicates the On/Off mode. 2.Indicates the bar graph display (Bar graph: Not displayed / Bar graph: Displayed.)	1. Off 2. bar graph displayed	W
	8	YTA Option	Indicates the optional function supported by the device. This cannot be changed by the user.. 1.Indicates the unit system used. (SI system / Other)	Specify when ordering	R
	9	Special Cmd	Special function parameter. 0.Initial value at the time of reading (None) 1.Squawk mode 2.Deep-sleep mode To start from the deep-sleep mode, either remove and reinsert the battery pack or use the provisioning device tool or the device configuration tool via infrared communication.	0	W
	11	Power Saving Mode	Selects the power saving mode 0.Off (Disable) 1.On (Enable)	1	W
	12	Mesurement Rate	Indicates the measurement period of process values.	30 seconds	R
14	LCD Intermittent Time	Set the time to turn off display on the LCD indicator. Unit: second	60 seconds	W	
5. AI1 block 6. AI2 block	1	Process Value	AI1/AI2 is a temperature output object. Indicates the primary analog value (or corresponding process value) and status used to execute this function. Allows updating data by specifying this for the Concentrator object. 1.Value: AI1/AI2 output value. 2.Status: Indicates the status of the AI1/AI2 output value.	1. --- 2. ---	W
	2	Mode	A universal parameter to indicate the block's operation status. O/S, Auto, and Man can be selected. 1.Target: Specifies the AI1/AI2 mode. 2.Actual: Indicates the present AI1/AI2 mode. 3.Permitted: Indicates the mode that can be specified in Target. 4.Normal: Indicates the AI1/AI2 normal status mode.	1. Target = Auto 2. Actual = Auto 3. Permitted = Auto Manual OOS 4. Normal = Auto	W
	3	Concentrator OID	Indicates the Concentrator object value that corresponds to the data update of the PV value.	---	R

Object ID	Attribute ID	Label	Description	Default value	Handling
5. AI1 block 6. AI2 block (continued)	4	Scale	Allows specifying the upper or lower limit for the PV scaling, unit code, etc. 1.EU at 100%: Indicates the upper limit to the PV value. 2.EU at 0%: Indicates the lower limit to the PV value. 3.Units Index: Indicates the set unit used for the PV value. 4.Decimal: Indicates the number of digits after the decimal point to display on the LCD unit.	1.EU at 100% = --- 2.EU at 0% = --- 3.Units Index = °C 4.Decimal = 1	W
	26	Tag Description	A universal parameter to store the comment that describes the tag	Sensor Temperature	W
	27	Process Value Filter Time	Allows adjusting the damping time constant for the PV value. Damping time constant set longer than update Time. Setting unit: Second.	15 sec	W
	28	Simulate Switch	A simulation function switch for the AI1/AI2 object test (Disable/ Enable)	Disable	W
	29	Transducer Value	When SIMULATE_SWITCH is set to Disable, this value is used as the input value for the AI object. The temperature value calculated from the physical value of the sensor. The Bias value is added to the temperature value	---	R
	30	Simulate Value	When SIMULATE_SWITCH is set to Enable, this value is used as the input value for the AI1/AI2 object. The input value can be changed, but technical unit is not converted to output value of the AI1/AI2 object.	0	W
	51	Lin Type	Sets the sensor type. Select any of Unused, Pt100 (IEC751), Pt200 (IEC751), Pt500 (IEC751), Type B (IEC584), Type E (IEC584), Type J (IEC584), Type K (IEC584), Type N (IEC584), Type R (IEC584), Type T (IEC584), mV, and Ohm.	---	W
	52	Bias	Adds the BIAS temperature value to the temperature value. This is set as a temperature value to which a value converted to the unit set in the Units Index of Sensor Range is added.	0	W
	53	Sensor Range	Indicates the basic information on the sensor used. 1.EU at 100%: Indicates the upper limit of the sensor set in Lin Type. 2.EU at 0%: Indicates the lower limit of the sensor set in Lin Type. 3.Units Index: Sets the unit for Transducer Value, Simulate Value, Bias, EU at 100%, EU at 0%, Reference Junction Temp and External Reference Junction Value. 4.Decimal: Unused in YTA.	1. EU at 100% = --- 2. EU at 0% = --- 3. Units Index = --- 4. Decimal = 1	W
	57	Reference Junction Temp	Indicates the terminal block temperature value for the cold junction compensation.	---	R
	58	Selection of Reference Junction	Sets the cold junction compensation when using the thermocouple sensor. 0.No cold conjunction compensation (No Reference) 1.Internal temperature value (Internal) 2.External temperature value (External)	1	W
	59	External Reference Junction Value	Sets the external temperature Sets the external temperature when setting the cold junction temperature value of the thermocouple to the external temperature value in Selection of Reference Junction.	0	W
61	Sensor Connection	Sets the number of connections when Lin Type is the resistance temperature sensor. 0: 2Wire 1: 3Wire 2: 4Wire* *Not applicable for AI2.	---	W	
102	Sensor Serial Number	Indicates the serial number of the sensor, which corresponds to the tag assigned to the temperature sensor.	---	W	

Object ID	Attribute ID	Label	Description	Default value	Handling
5. AI1 block 6. AI2 block (continued)	103	Cal Point Lo	Sets the zero-point adjustment for the input adjustment (zero-gain adjustment) of the sensor. Be sure to perform adjustment with Cal Point Lo (zero-point) first.	---	W
	104	Cal Point Hi	Sets the gain-point adjustment for the input adjustment (zero-gain adjustment) of the sensor.	---	W
	105	Cal Point Clear	Resets the input adjustment value of the sensor to the factory setting.	0	W
	106	Process Value Type	Selects data to output to PV.Value. 0.% value after the scaling process is performed 1.Actual target value after the filter process is performed	0	W
	107	Reference Junction Unit	Sets the unit for Reference Junction Temp and External Reference Junction Value. Select any of °C (Celsius), K (Kelvin), °F (Fahrenheit), and °R (Rankine).	°C	W
	108	Burn Out Type	Sets the burnout of the PV value at the detection. 0: The direction specified by hard ware switch 1: Set to higher side 2: Set to lower side	0	W

(Note) R: Read only, W: Read and Write

(Note) "Factory NAMUR category" refers to the four categories (C: Check function, M: Maintenance required, F: Failure, and O: Off specification) according to NAMUR NE107.

*1: NAMUR NE107 "Self-Monitoring and Diagnosis of Field Devices"

Table 9.2 Diagnostic Status Detail

Bit	Diagnostic Status Detail	Description	Diagnostic status assignment bit	NAMUR
Diagnostic Status Detail.1				
Bit31	AMP ERR	Amplifier failure	Bit27	F
Bit30	MEMORY ERR	Memory failure	Bit27	F
Bit27	Firm Update ERR	Firmware write error	Bit27	F
Bit26	ADC ERR	ADC failure	Bit27	F
Bit23	SENSOR1 FAILURE	Sensor 1 burnout	Bit26	F
Bit22	SENSOR2 FAILURE	Sensor 2 burnout	Bit26	F
Bit21	TERM SNS FAILURE	CJC sensor burnout	Bit26	F
Bit16	CRITICAL LOWBAT *1	Detection of an extreme decrease in the battery voltage	Bit20	M
Bit15	LOWBAT *1	Detection of a decrease in the battery voltage	Bit19	M
Bit11	FIRMWARE CONDITION CHECK	Internal control error detection	Bit21	M
Diagnostic Status Detail.2				
Bit31	SENSOR1 TEMP HI	Sensor 1 temperature higher limit scale out	Bit22	O
Bit30	SENSOR1 TEMP LO	Sensor 1 temperature lower limit scale out	Bit22	O
Bit29	SENSOR2 TEMP HI	Sensor 2 temperature higher limit scale out	Bit22	O
Bit28	SENSOR2 TEMP LO	Sensor 2 temperature lower limit scale out	Bit22	O
Bit27	AMB TEMP HI	Ambient temperature higher limit scale out	Bit22	O
Bit26	AMB TEMP LO	Ambient temperature lower limit scale out	Bit22	O
Bit23	SENSOR1 SPAN ADJ ERR	Sensor 1 faulty input of span adjustment value	Bit25	C
Bit22	SENSOR1 ZERO ADJ ERR	Sensor 1 faulty input of zero adjustment value	Bit25	C
Bit21	SENSOR2 SPAN ADJ ERR	Sensor 2 faulty input of span adjustment value	Bit25	C
Bit20	SENSOR2 ZERO ADJ ERR	Sensor 2 faulty input of zero adjustment value	Bit25	C
Bit15	A1 O/S MODE	A1 O/S Mode	Bit24	C
Bit14	A2 O/S MODE	A2 O/S Mode	Bit24	C
Bit13	A1 SIMULATE MODE	A1 Simulate Mode	Bit17	C
Bit12	A2 SIMULATE MODE	A2 Simulate Mode	Bit17	C

*1: Only applicable for the battery powered type.

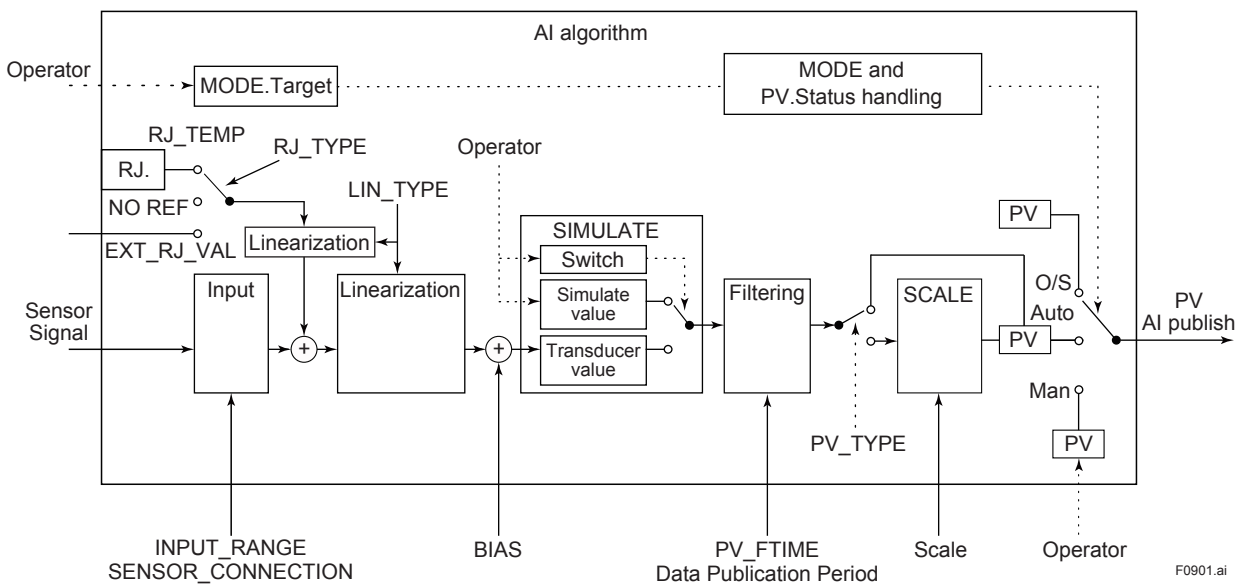


Figure 9.1 Example schema of analog input object

10. General Specifications

Please refer to the following General Specifications sheet for the specifications, model, suffix and option codes, and external dimensions of each product.

The General Specifications can be downloaded from the website of Yokogawa.

Website address: <https://www.yokogawa.com/solutions/products-platforms/field-instruments/>

■ General Specifications List

Model	Document Title	Document No.
YTA510	Temperature Transmitter	GS 01C50E01-01EN

If you cannot find it on our website, please contact YOKOGAWA office.

Revision Information

- Title : YTA510
Temperature Transmitter
- Manual No. : IM 01C50E01-01EN

Edition	Date	Page	Revised Item
1st	Aug. 2010	—	New publication
2nd	Oct. 2010	2-5 2-7 10-4	2.7.3 Add CENELEC ATEX (KEMA) Certification 2.7.4 Add IECEx Certification 10.4 Add option code /KC27 and /SS27.
3rd	Apr. 2011	—	<ul style="list-style-type: none"> • Adapted to device configuration tool with infrared communication function. • Part number change Battery pack: F9915MA → F9915NQ Delete F9915MX Battery: A1133EB → F9915NR Delete battery case part number
4th	Dec. 2011	8-5	8.4.6 Add battery case part number of F9915NK.
5th	Aug. 2012	—	Release of amplifier housing code 8 and 9.
6th	June 2013	—	Release of CSA/ATEX/IECEx intrinsic safe for amplifier housing code 8 and 9.
7th	Jan. 2014	—	Release of FM intrinsic safe for amplifier housing code 8 and 9.
8th	July 2015	10-1 10-5	Revise descriptions for EMC conformity standards. Add notes to the table of optional accessories.
9th	May 2017	— — 1-1, 1-2, 2-10 1-2 1-2 1-5 2-8, 11-8 2-6 11-9	Change due to YFGW710 discontinuation. Change due to "Amplifier Code 7" discontinuation. Change due to RoHS. Addition of Patent Making. Addition of Product Disposal information. Addition of China RoHS. Revision of PED descriptions. Revision of the applicable standard for ATEX. Deletion of F9915KX due to RoHS.
10th	Dec. 2018	— — — 2-4 2-5 2-6 2-8 2-9, 2-10	Release of output signal -1. Release of external powered type. Change the description: Arrester → Surge Protective Device Revised the description of FM Approval. Revised the description of CSA Certification. Revised the description of ATEX Certification. Revised the description of IECEx Certification. Revised the description of Regulatory Compliance for Radio and Telecommunication.
11th	July 2021	2-7 to 2-9 2-9 2-10 2-11 10-1	Change the description for ATEX/IECEx Certification. Add the description for Immunity influence during the test. 2.9 Add (3) and (4). Change EU RoHS Directive. Delete the description for general specifications and add the General Specifications list.
12th	Feb. 2022	2-11	Add the description for Korea Certification (KC) compliance.